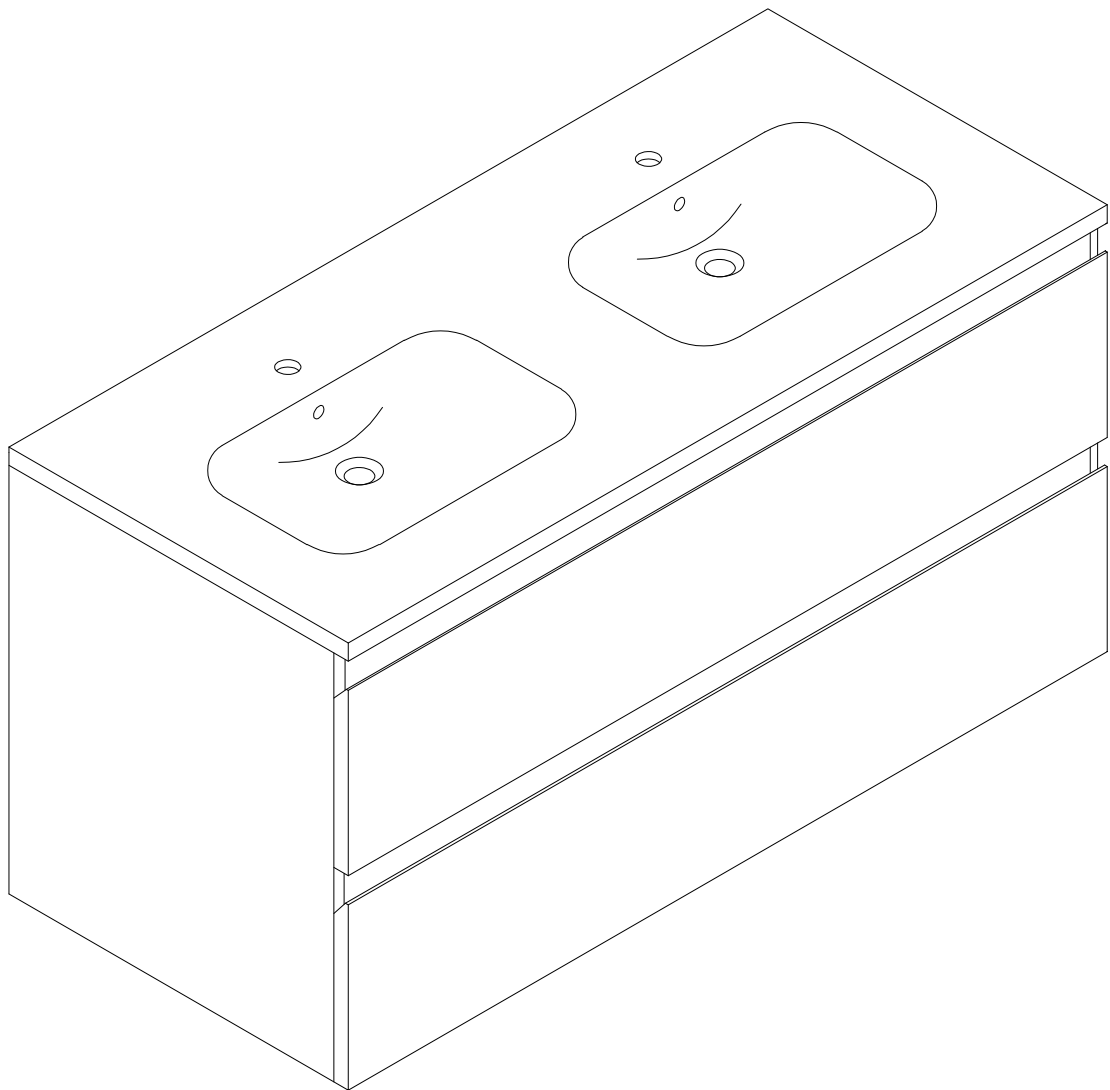
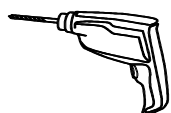


QOOZI

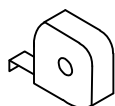
INSTALLATION GUIDE APOLLO OK 120 W



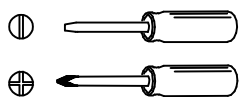
PRE-INSTALLATION - TOOLS REQUIRED



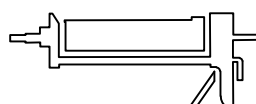
Drill



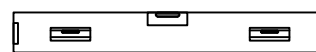
Measuring tape



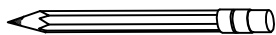
Screwdriver



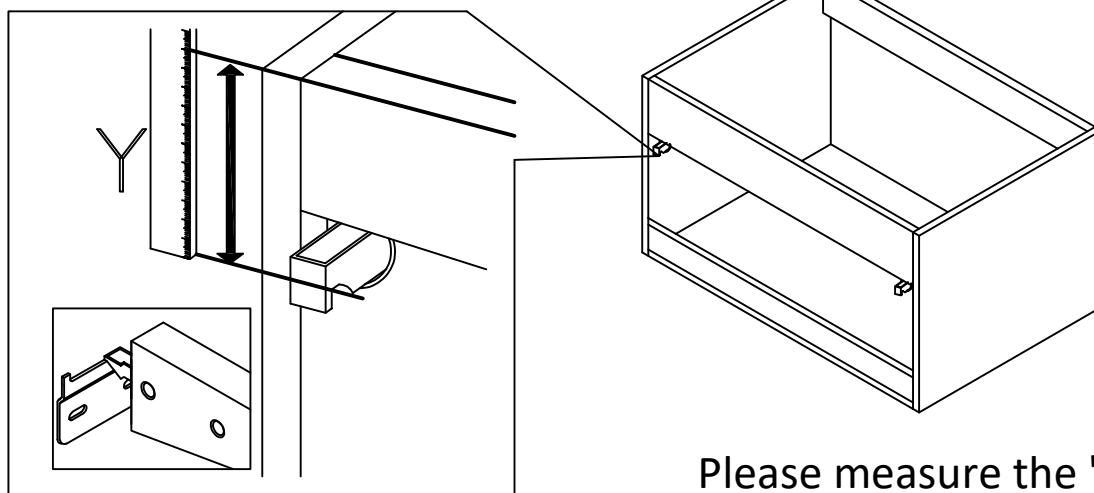
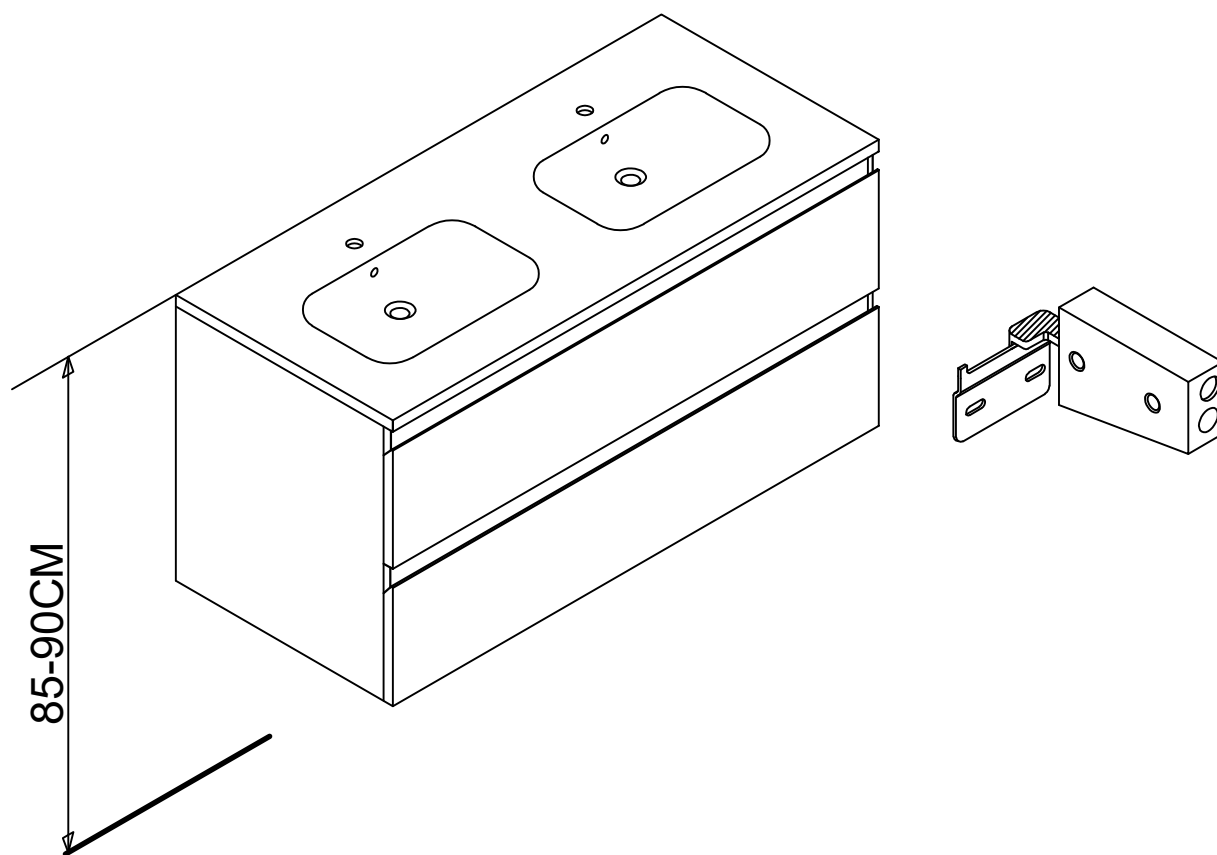
Silicone

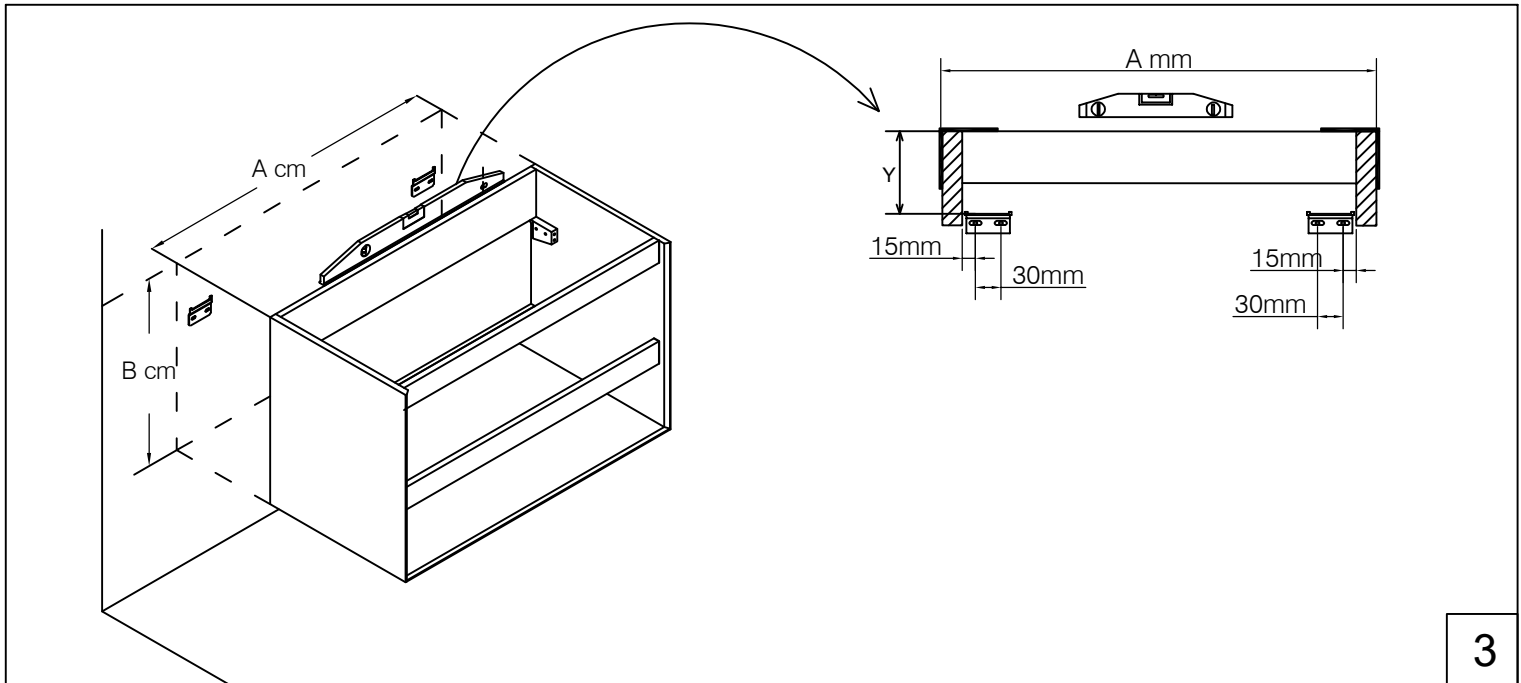


Level

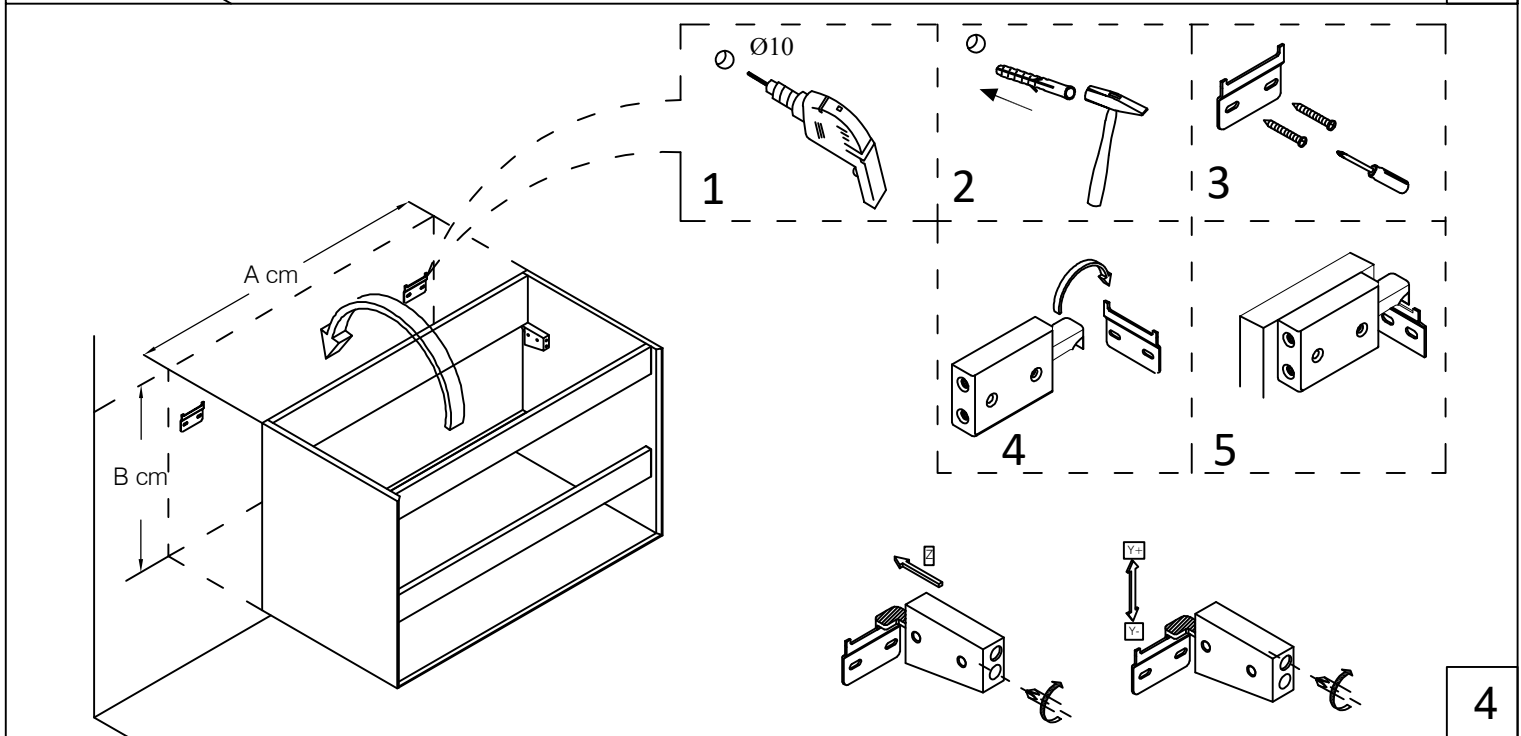


Pencil

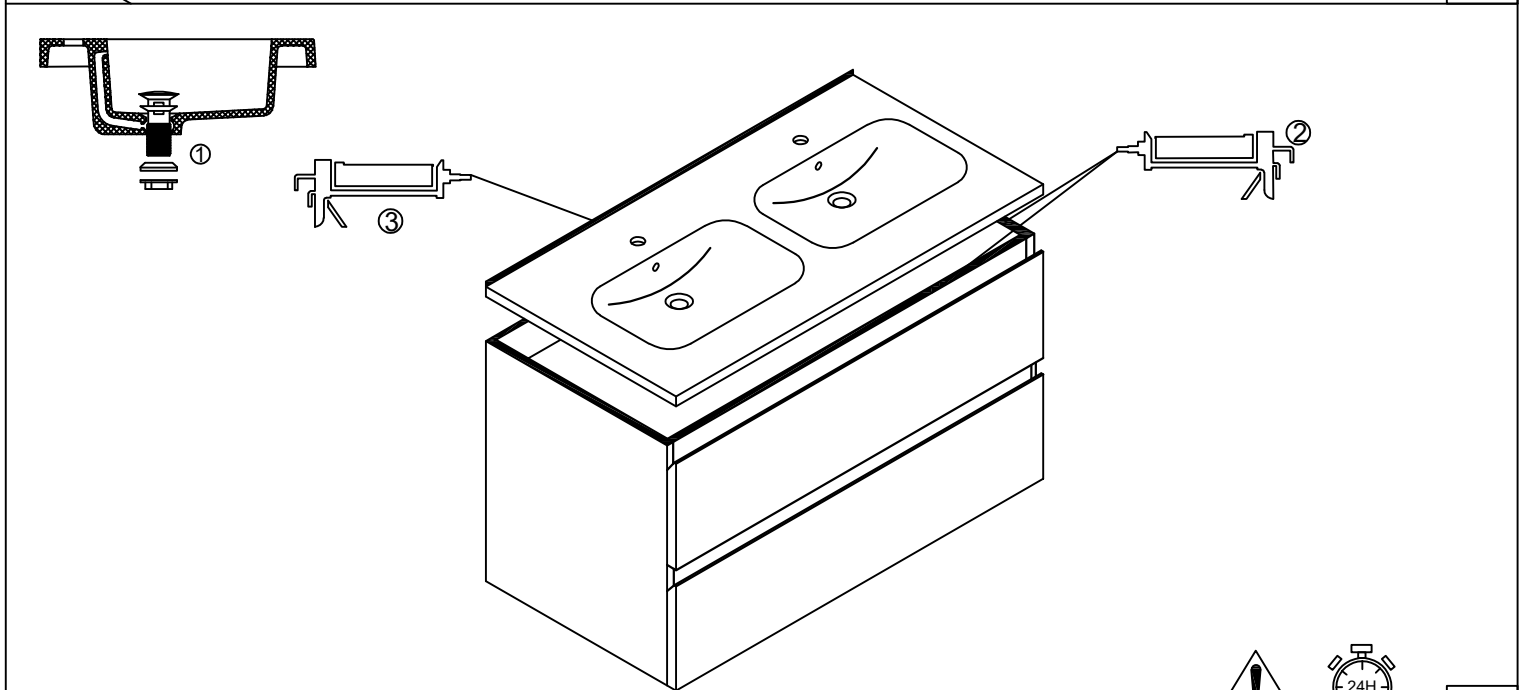




3



4



5

Please dry the cabinet with a soft cloth after use do not allow to remain wet

