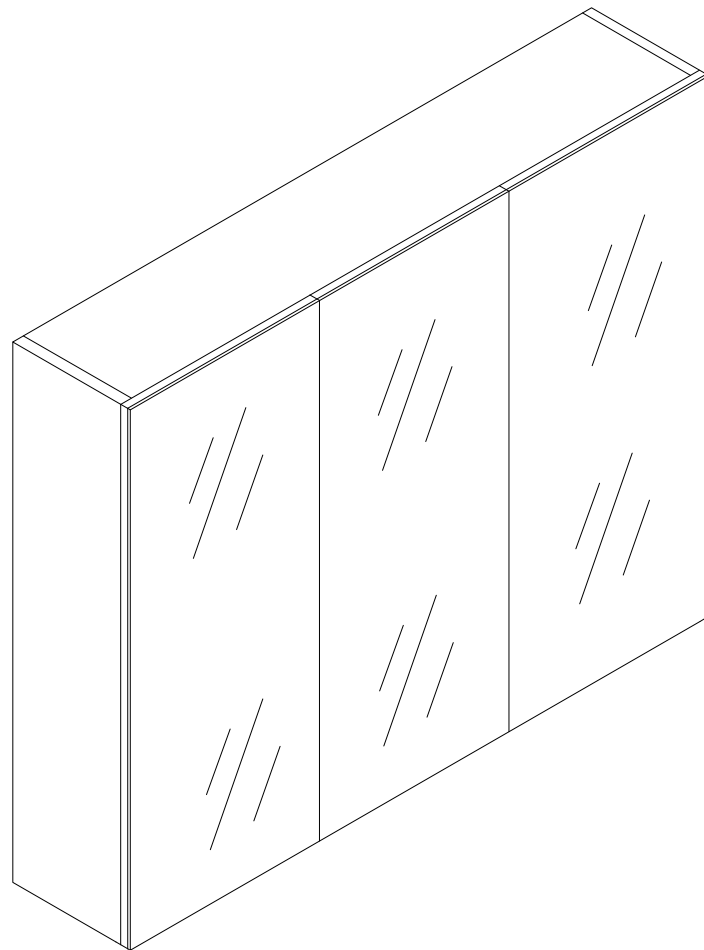
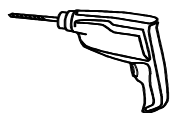


QOOZI

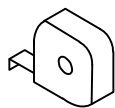
INSTALLATION GUIDE APOLLO SK 120 W



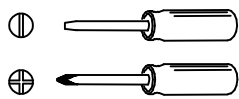
PRE-INSTALLATION - TOOLS REQUIRED



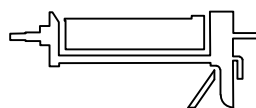
Drill



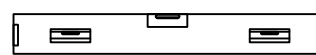
Measuring tape



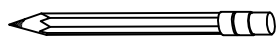
Screwdriver



Silicone

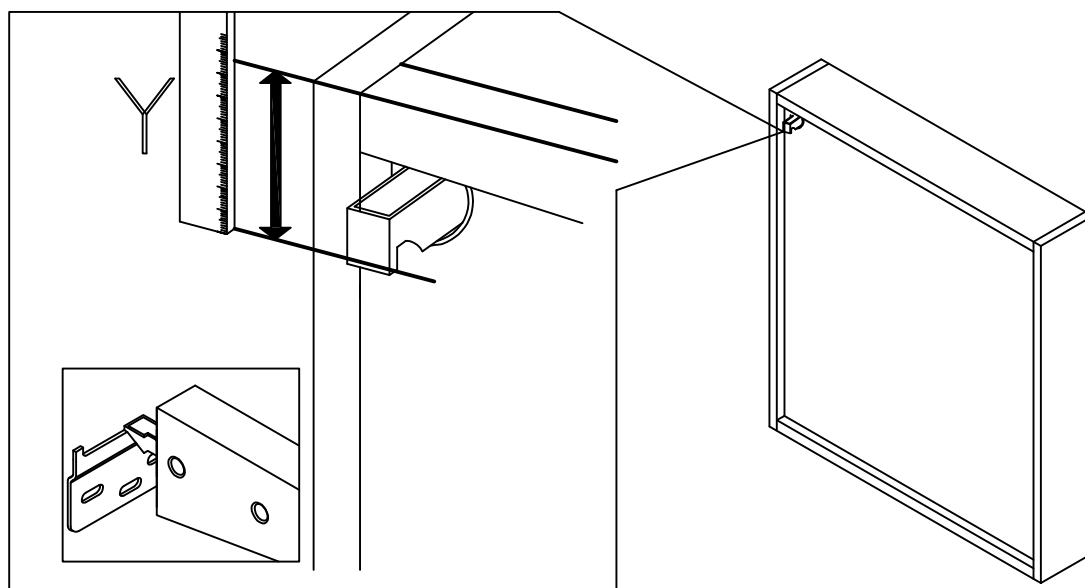
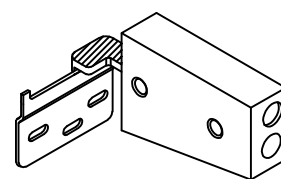
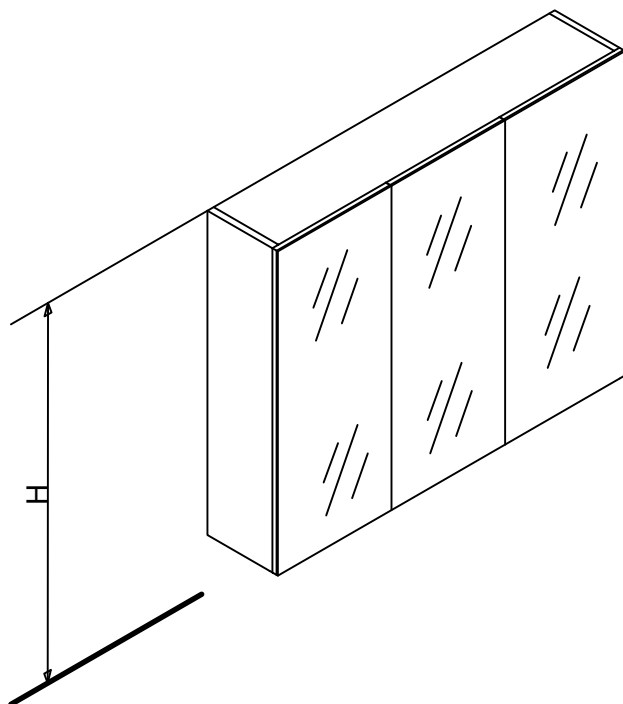


Level

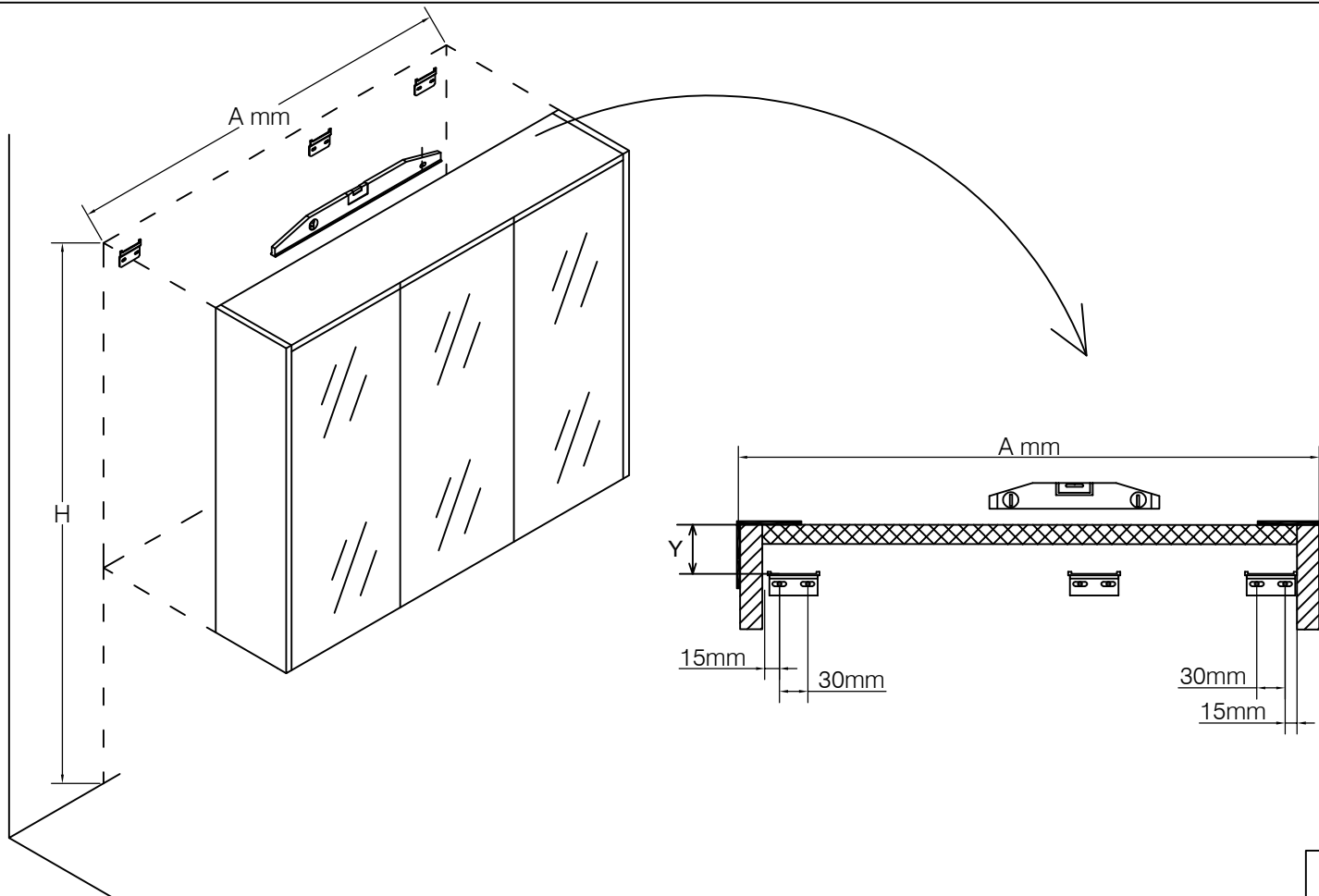


Pencil

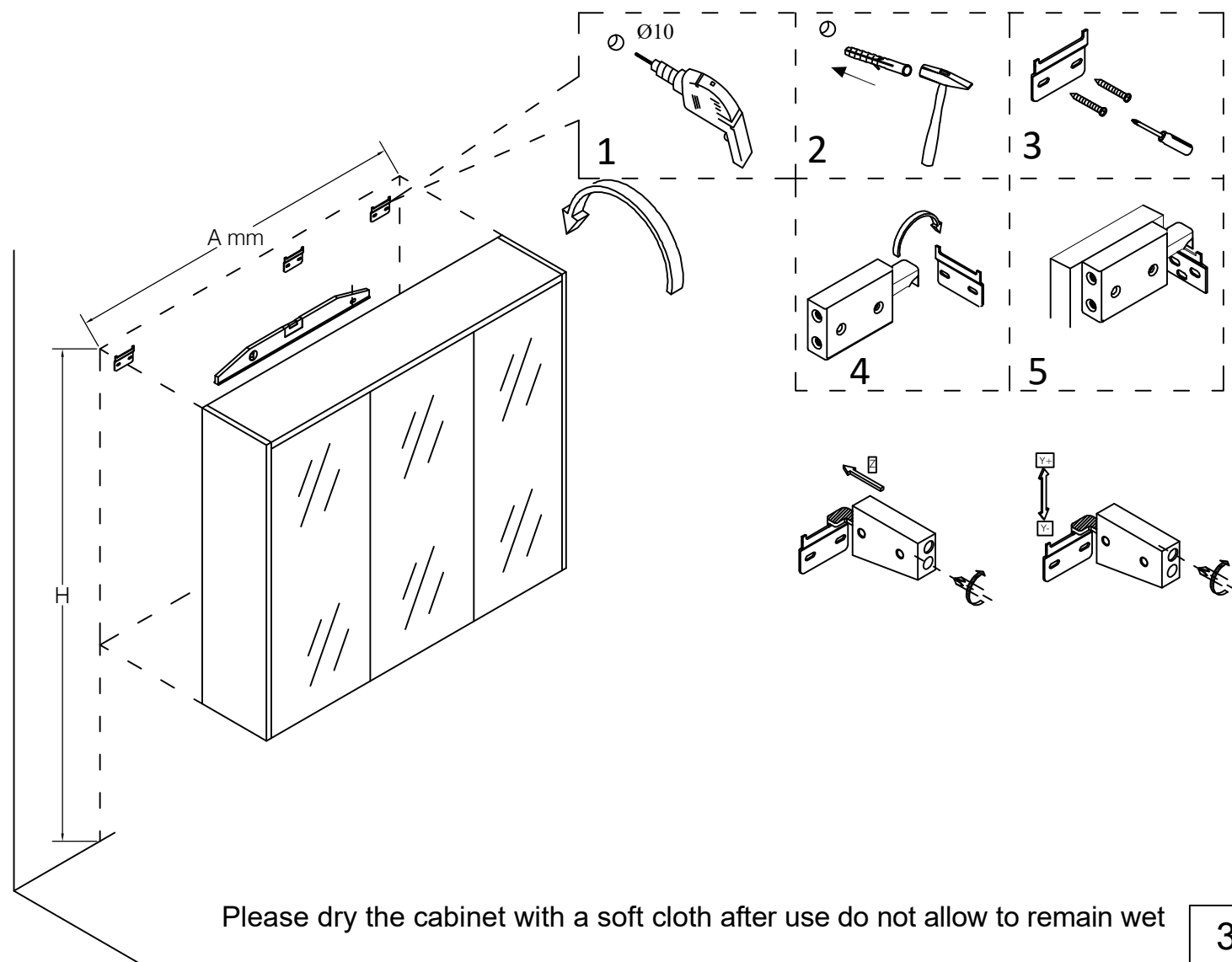
MIRROR CABINET INSTALLATION



Please measure the "Y" size



2

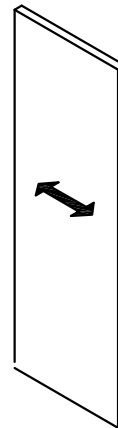
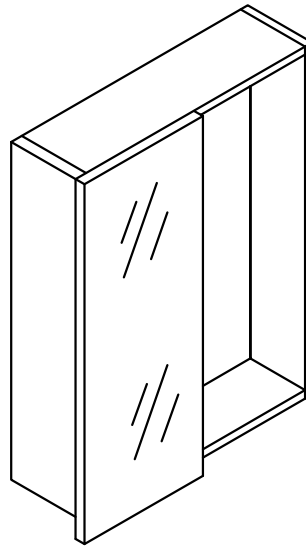
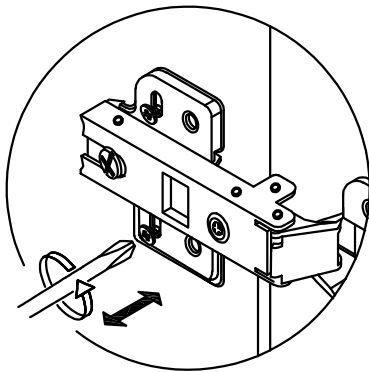


Please dry the cabinet with a soft cloth after use do not allow to remain wet

3

Disassembling / Assembling HINGE/DOOR

1. Disassembling



2. Assembling

