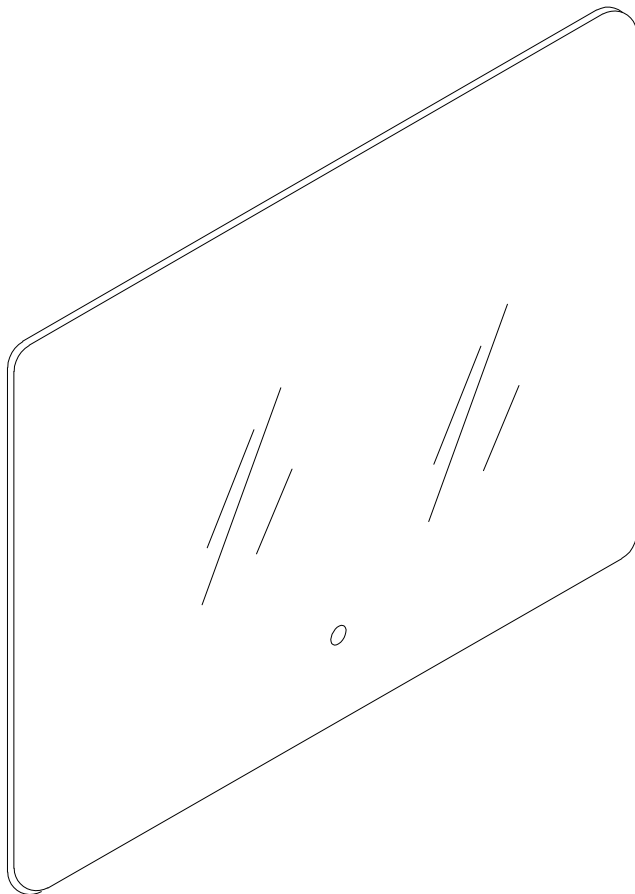
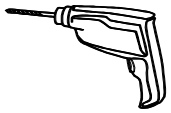


QOOZI

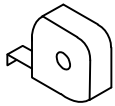
INSTALLATION GUIDE RAVA SP 100



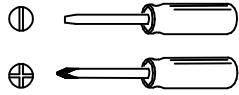
PRE-INSTALLATION - TOOLS REQUIRED



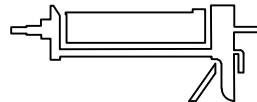
Drill



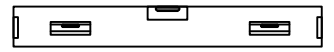
Measuring tape



Screwdriver



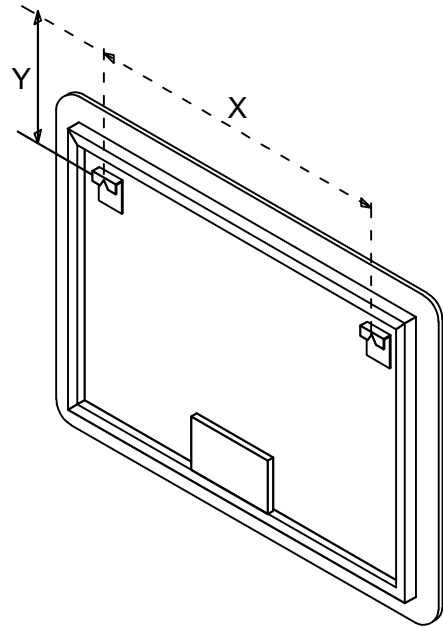
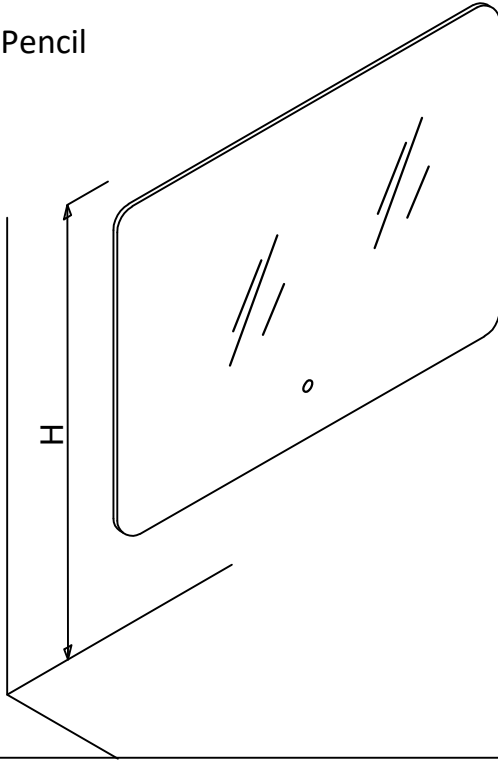
Silicone



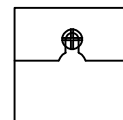
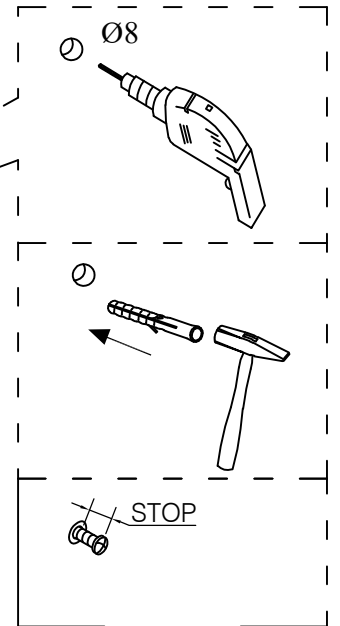
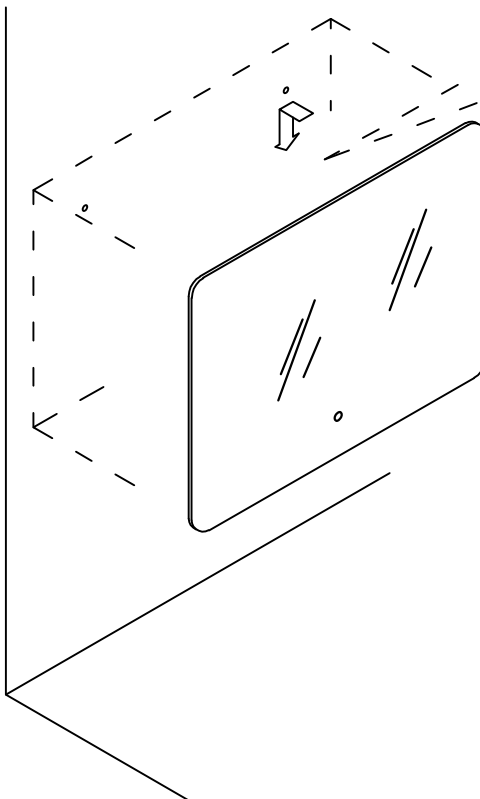
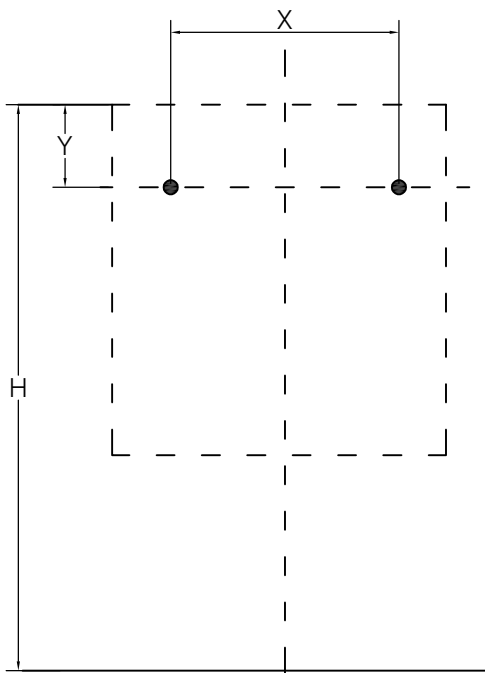
Level



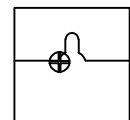
Pencil



1



✓



✗

2