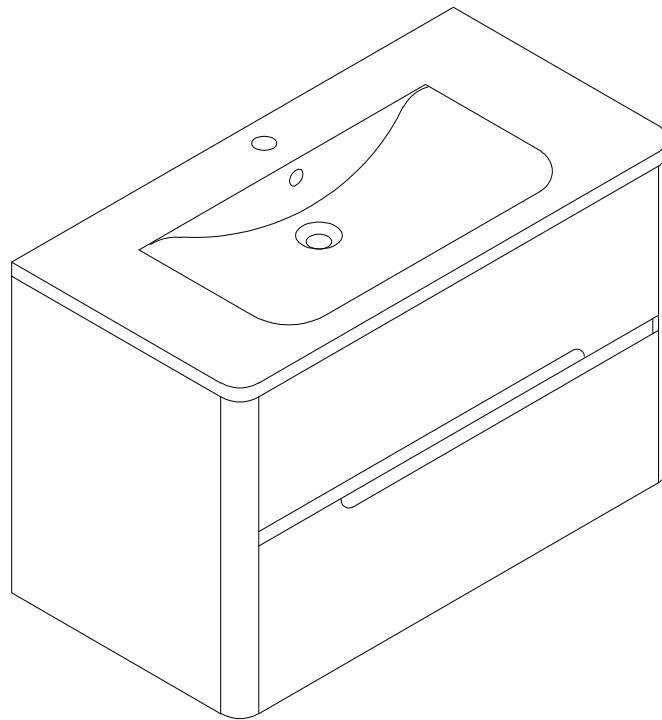
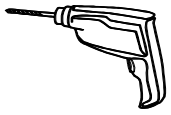


QOOZI

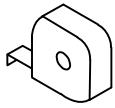
INSTALLATION GUIDE RAVA OK 100



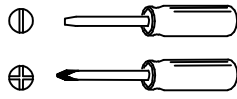
PRE-INSTALLATION - TOOLS REQUIRED



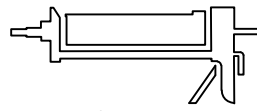
Drill



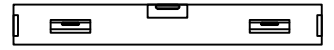
Measuring tape



Screwdriver



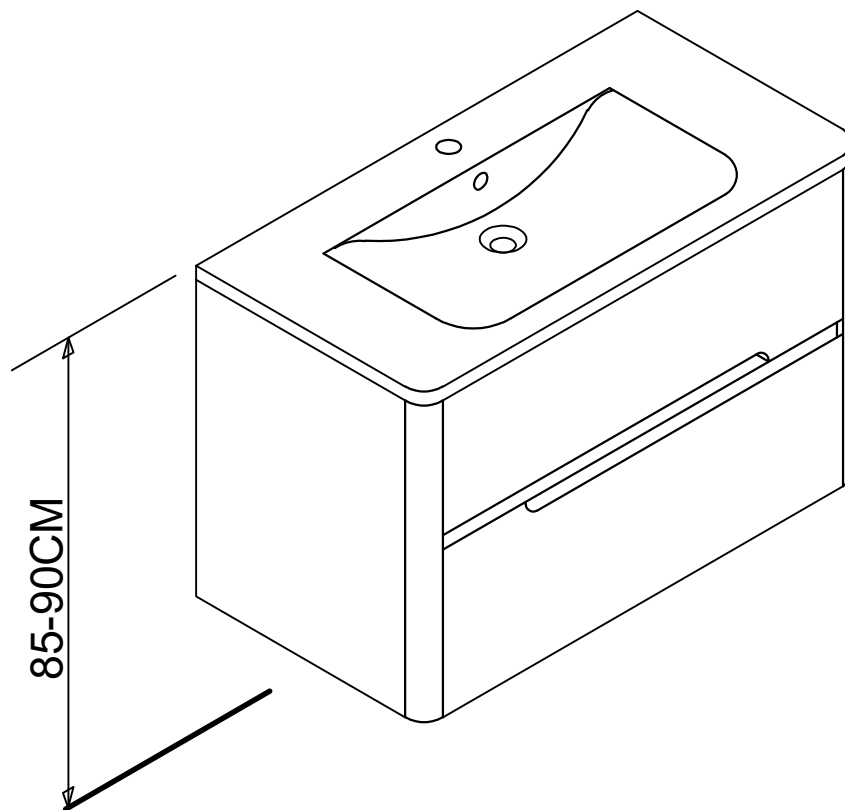
Silicone

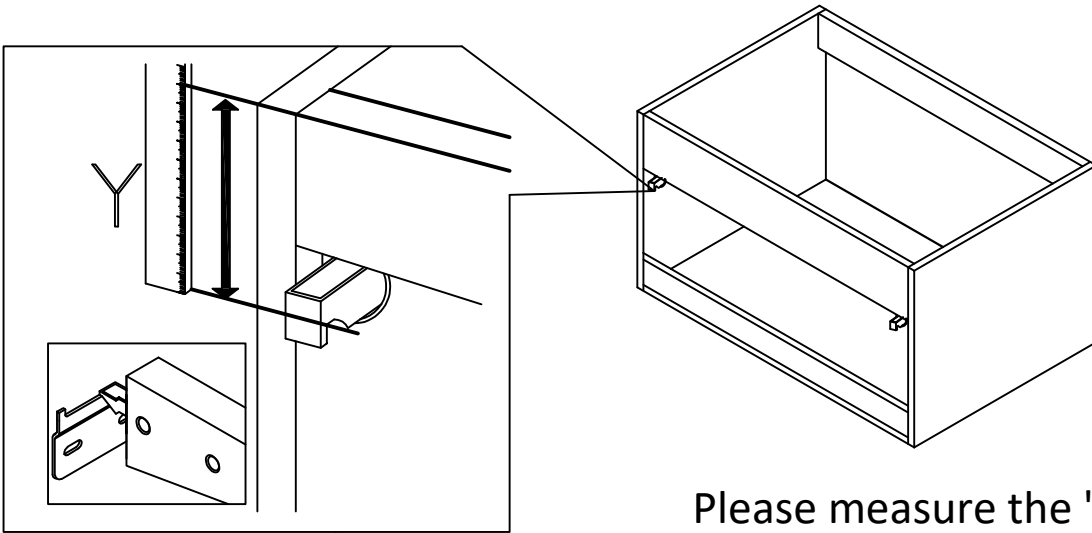


Level



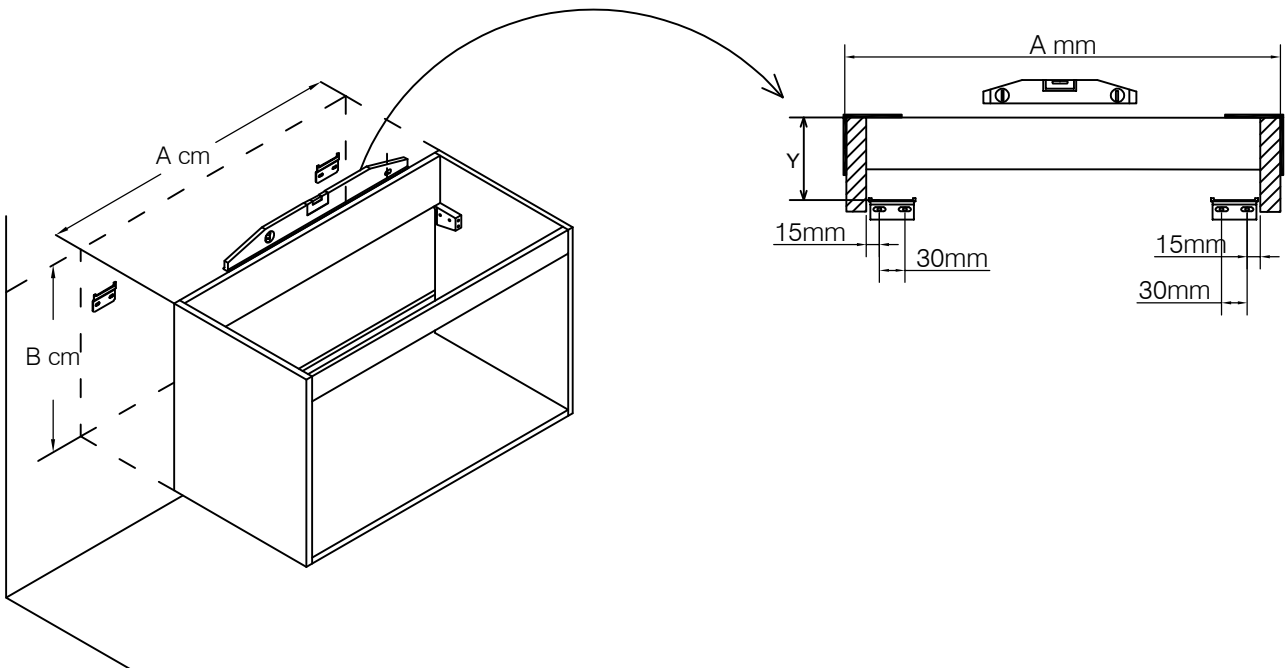
Pencil



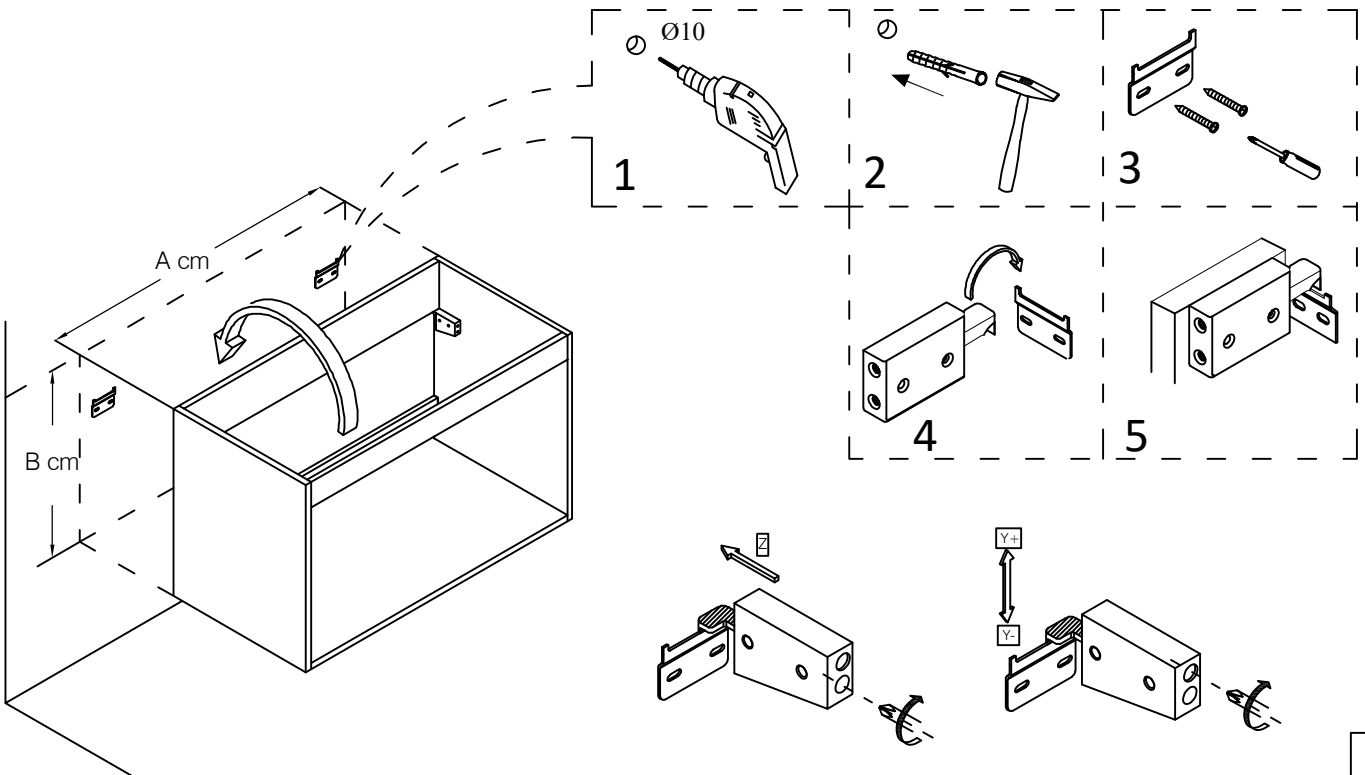


Please measure the "Y" size

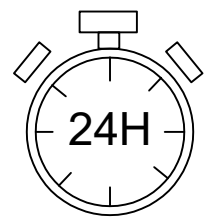
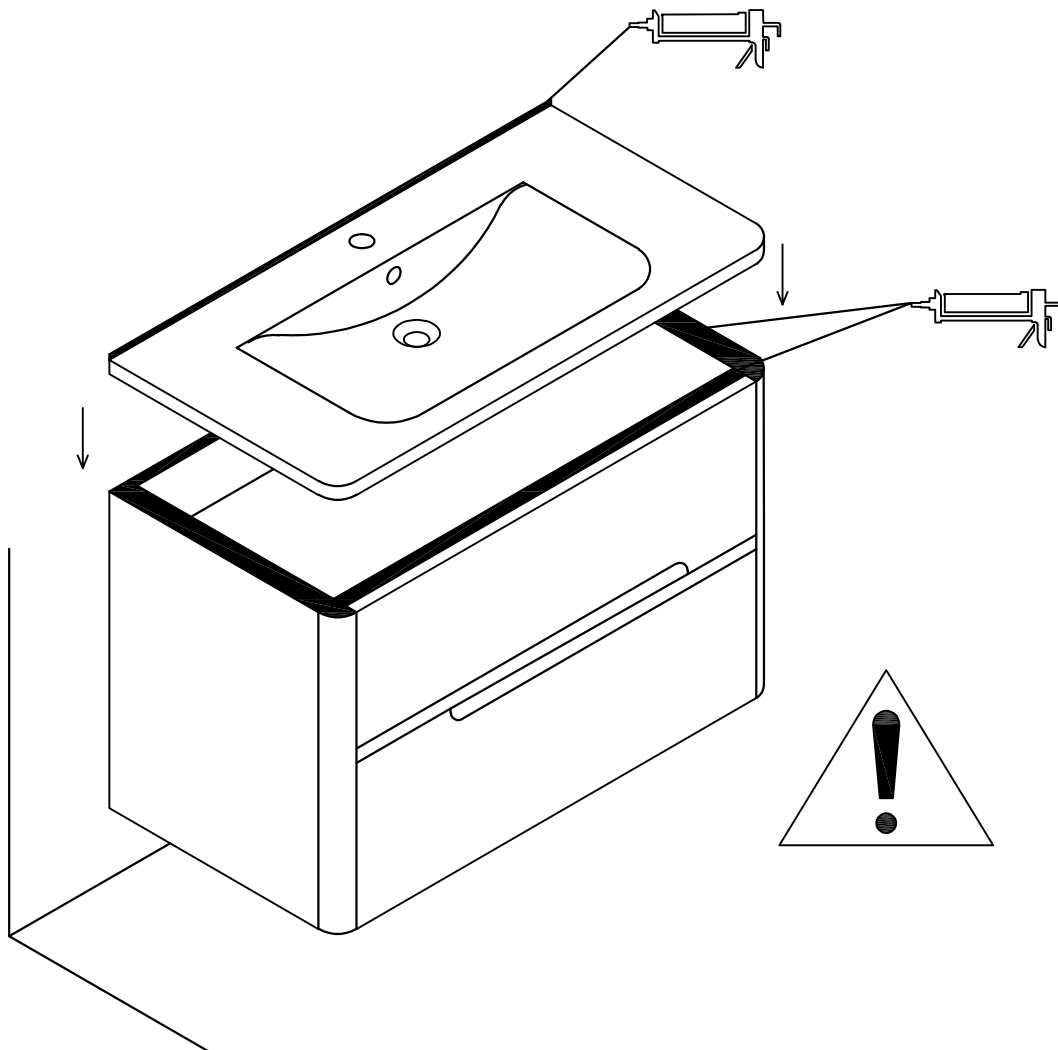
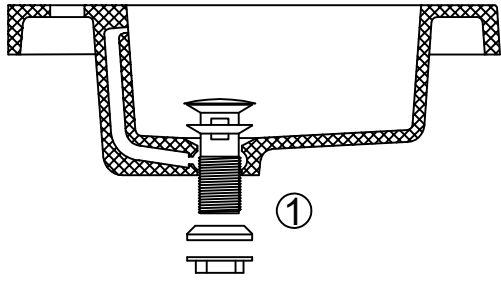
2



3



4



Please dry the cabinet with a soft cloth after use do not allow to remain wet