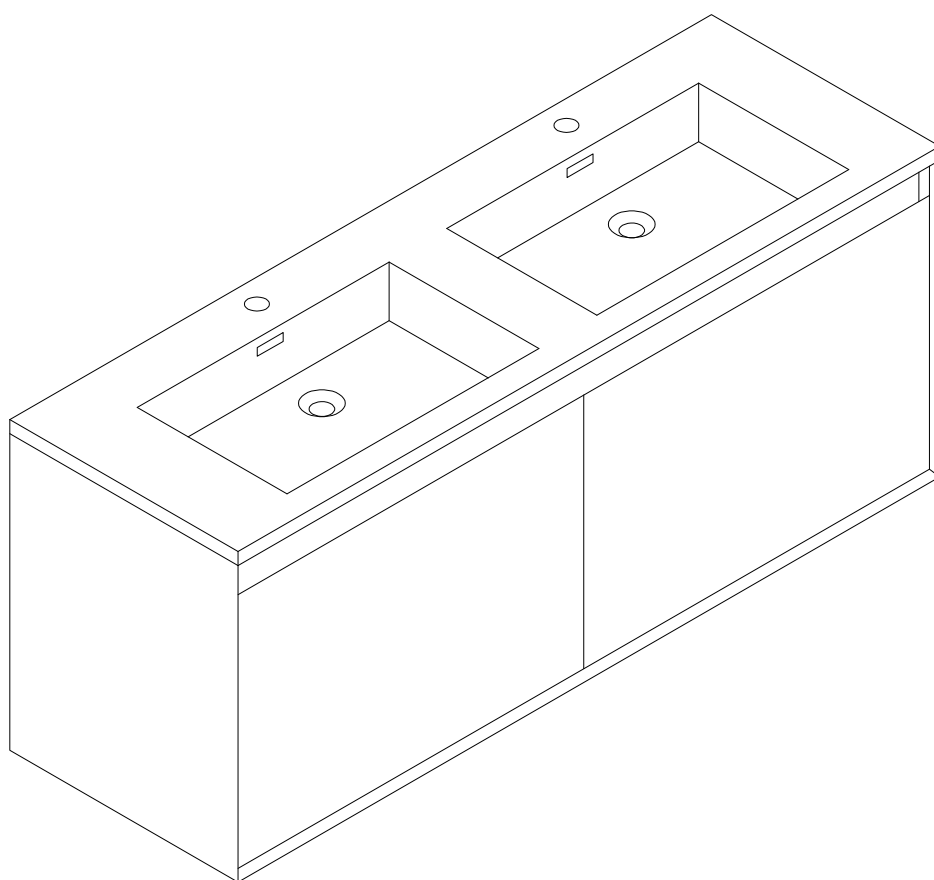
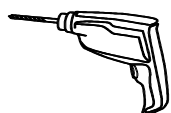


# QOOZI

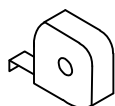
## INSTALLATION GUIDE KARO OK 140



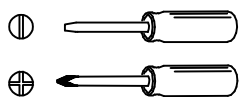
# PRE-INSTALLATION - TOOLS REQUIRED



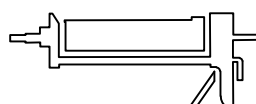
Drill



Measuring tape



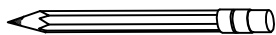
Screwdriver



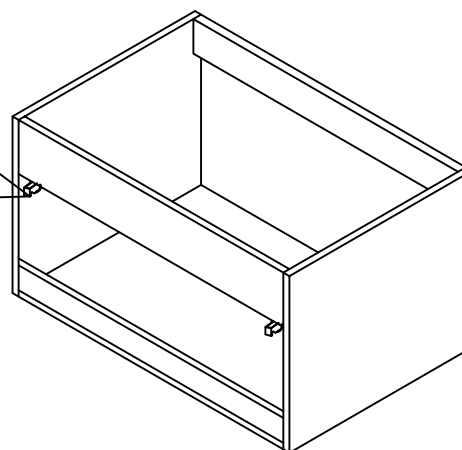
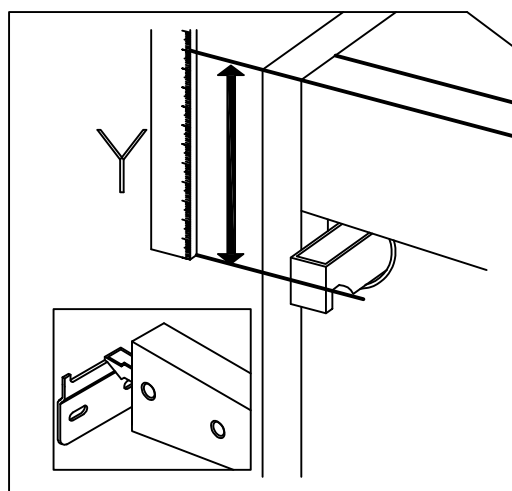
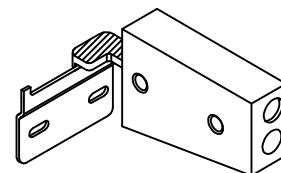
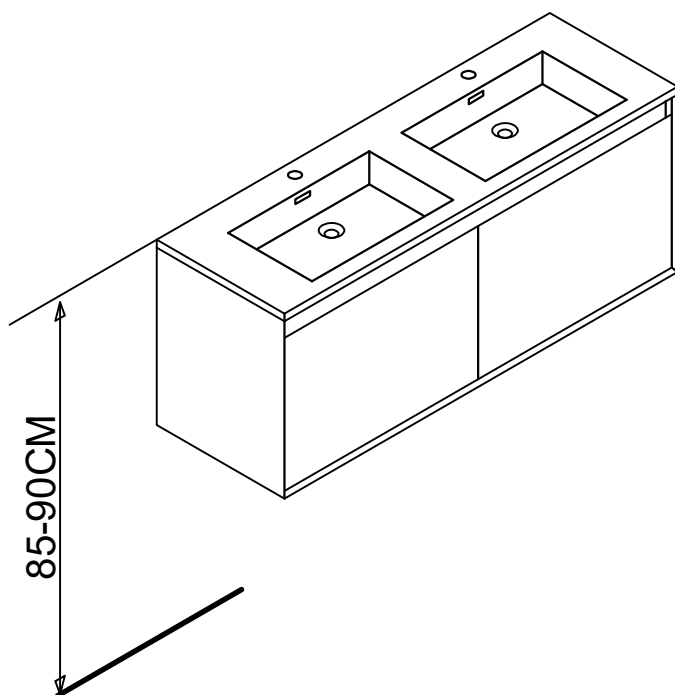
Silicone



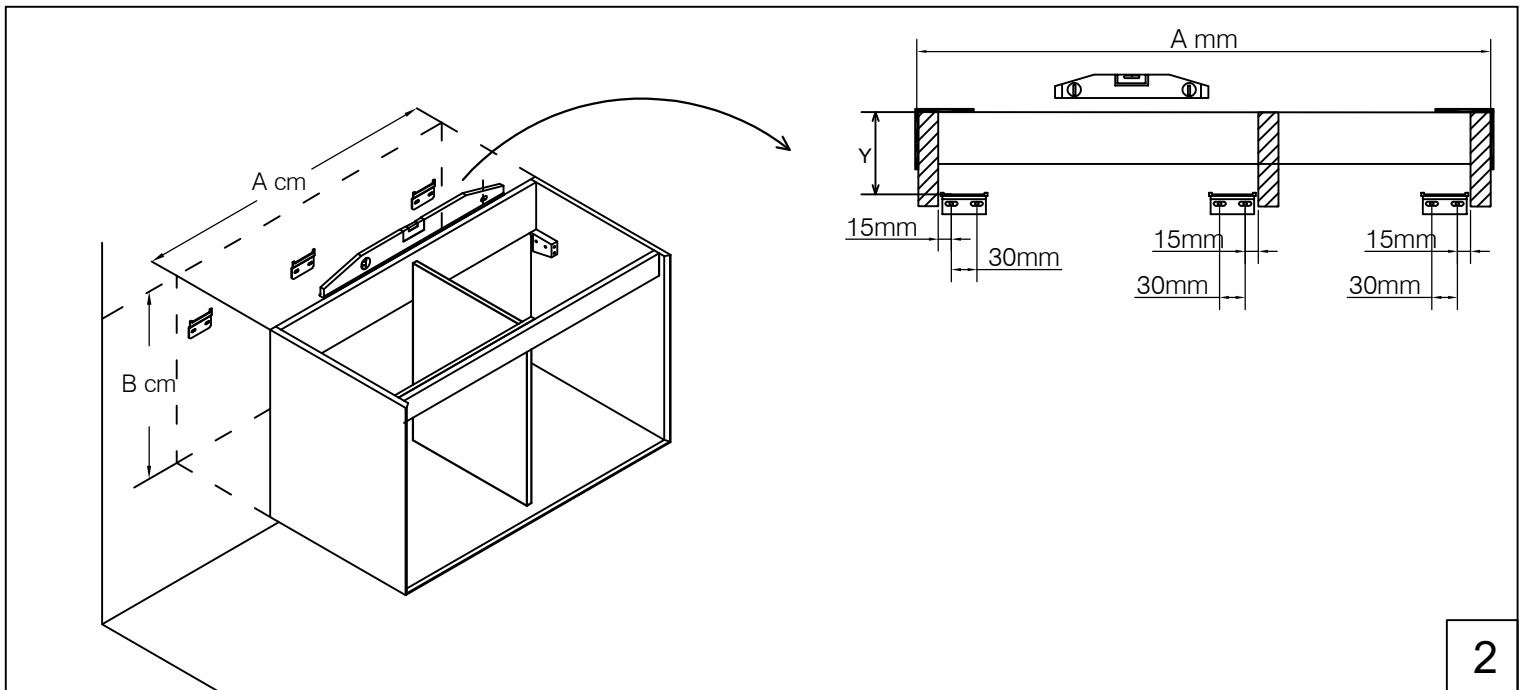
Level



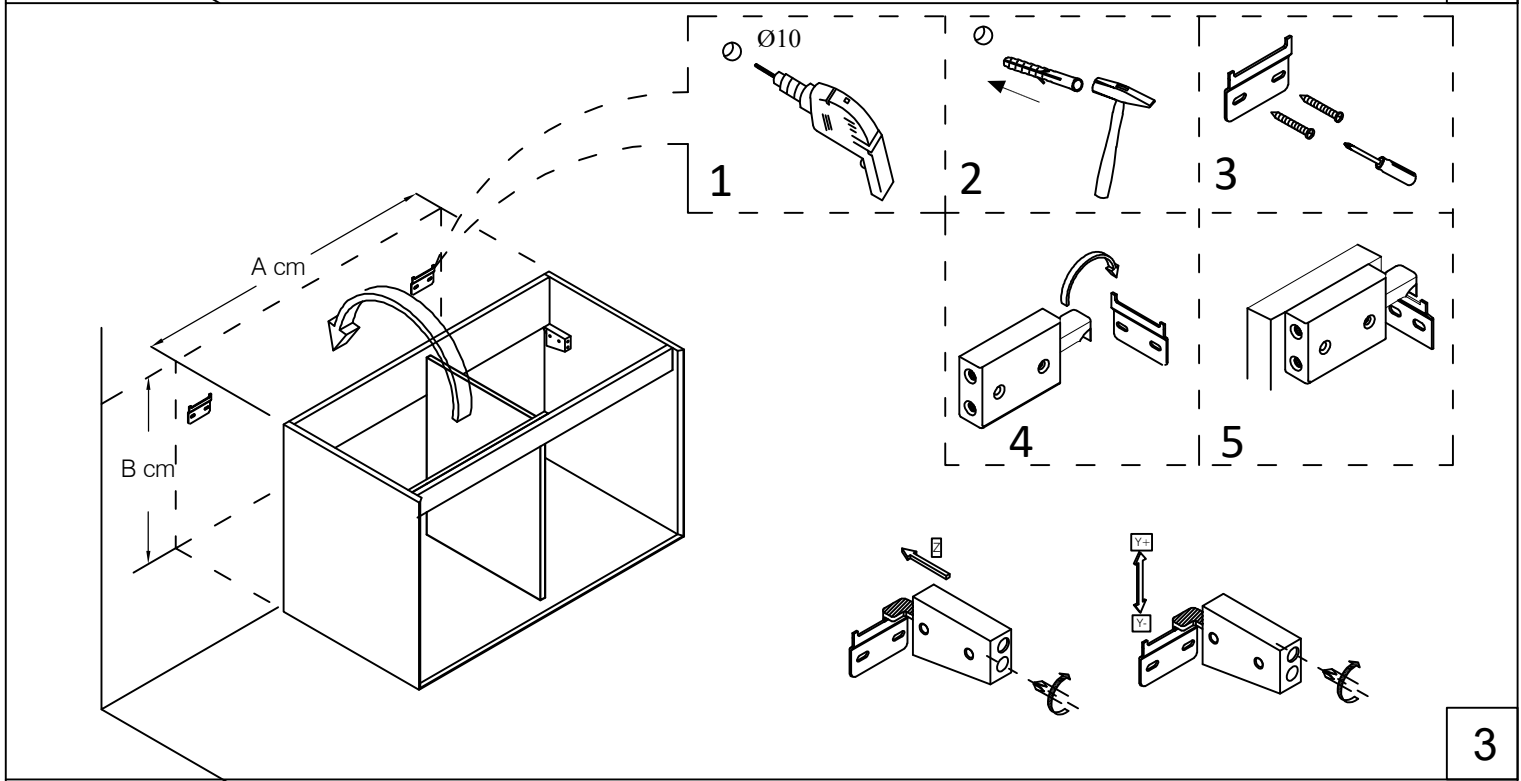
Pencil



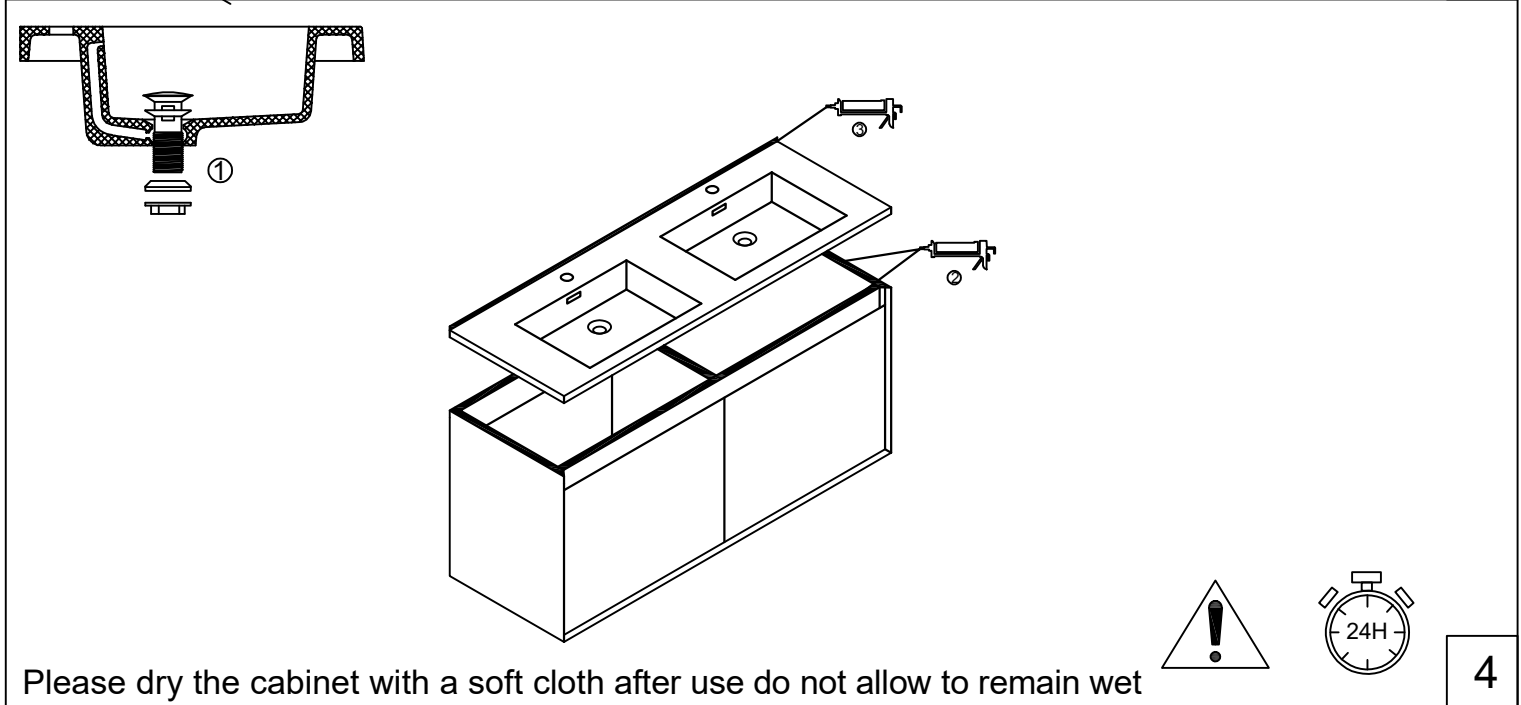
Please measure the "Y" size



2



3



4