

# QOOZI

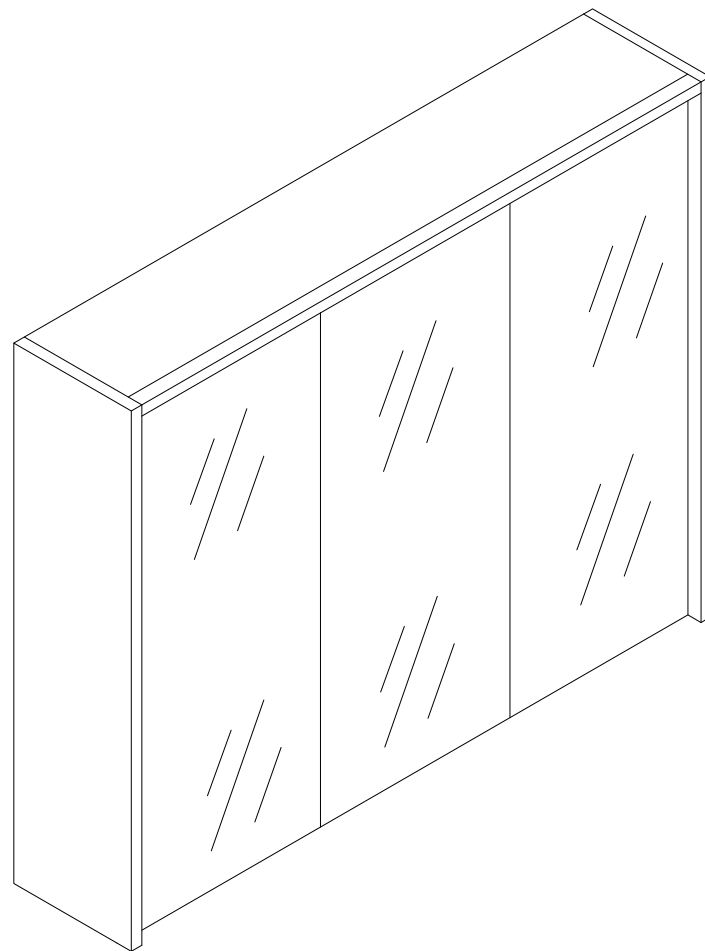
**INSTALLATION GUIDE**

**KARO SK 140**

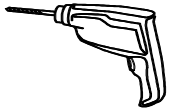
**SANO SK 120/LUNO SK 120**

**TIVO SK 100/KARO SK 100**

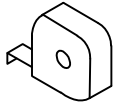
**ZARO SK 100**



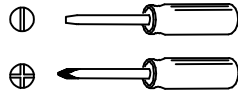
## PRE-INSTALLATION - TOOLS REQUIRED



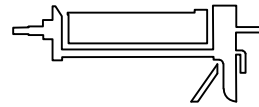
Drill



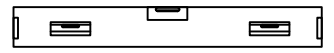
Measuring tape



Screwdriver



Silicone

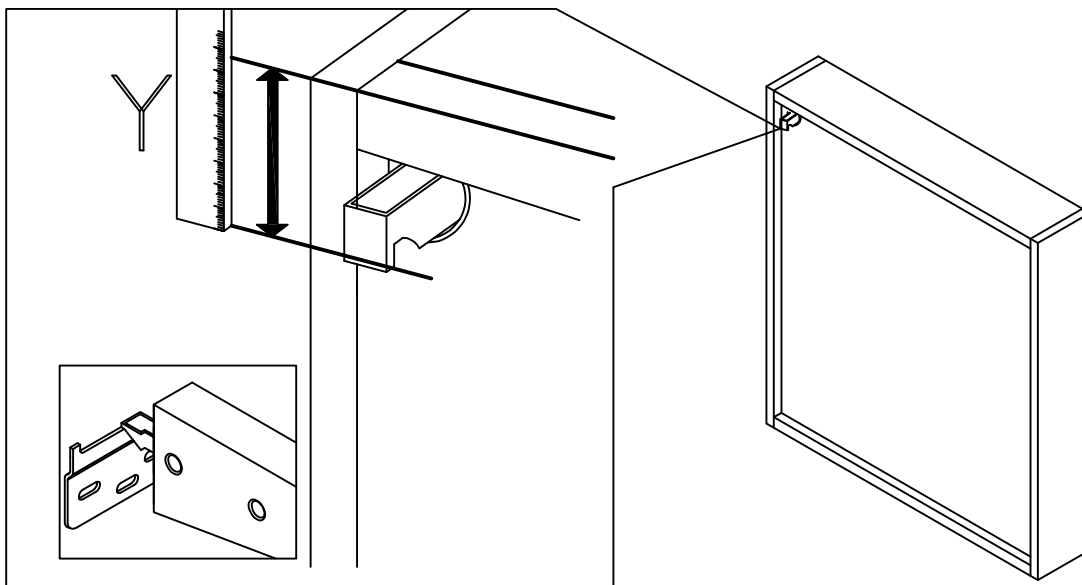
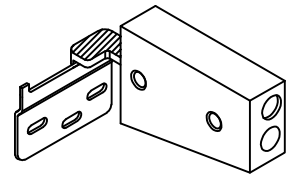
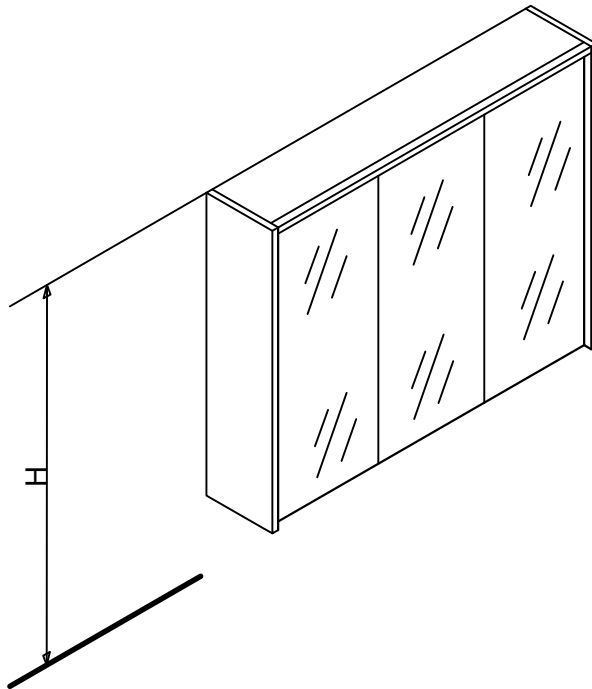


Level

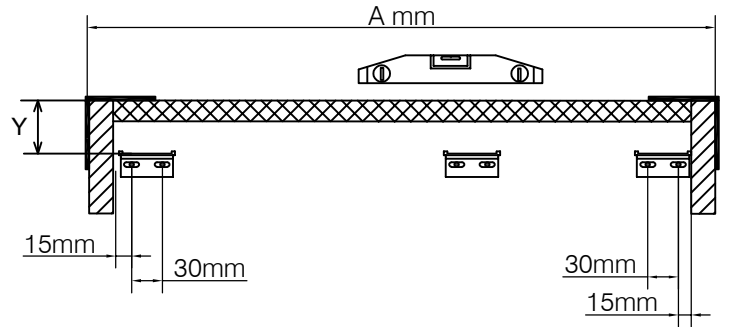
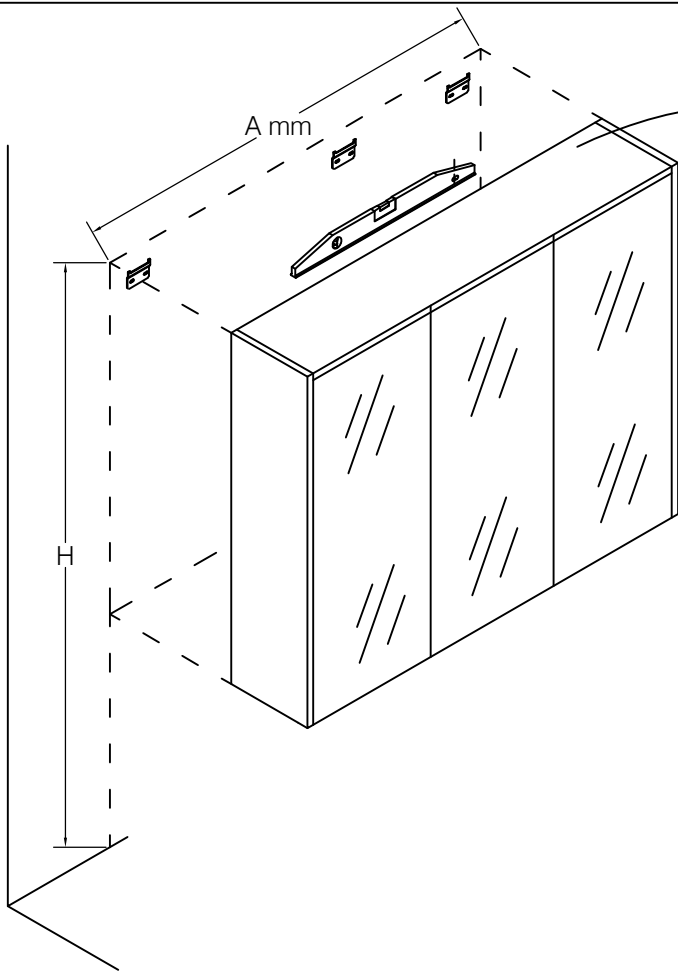


Pencil

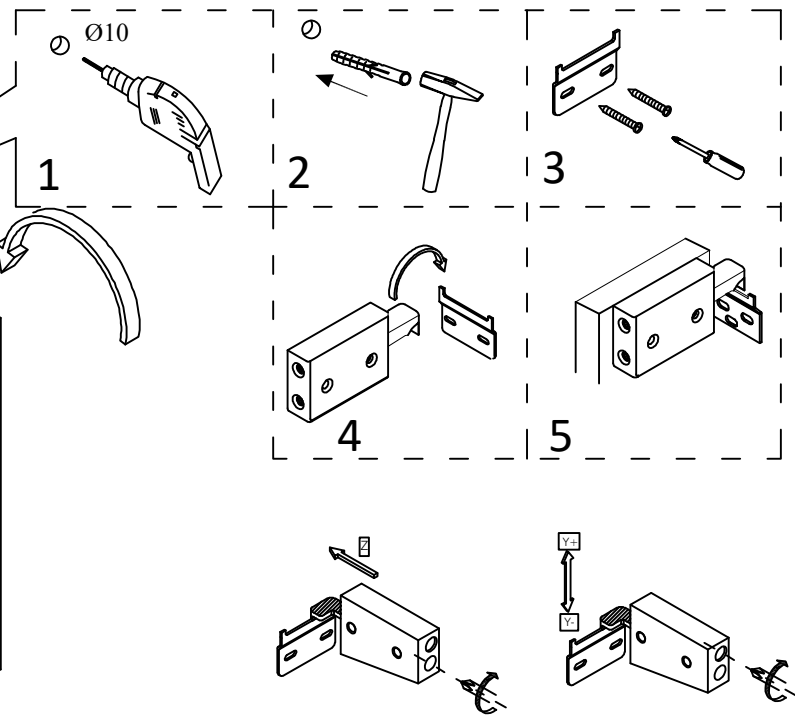
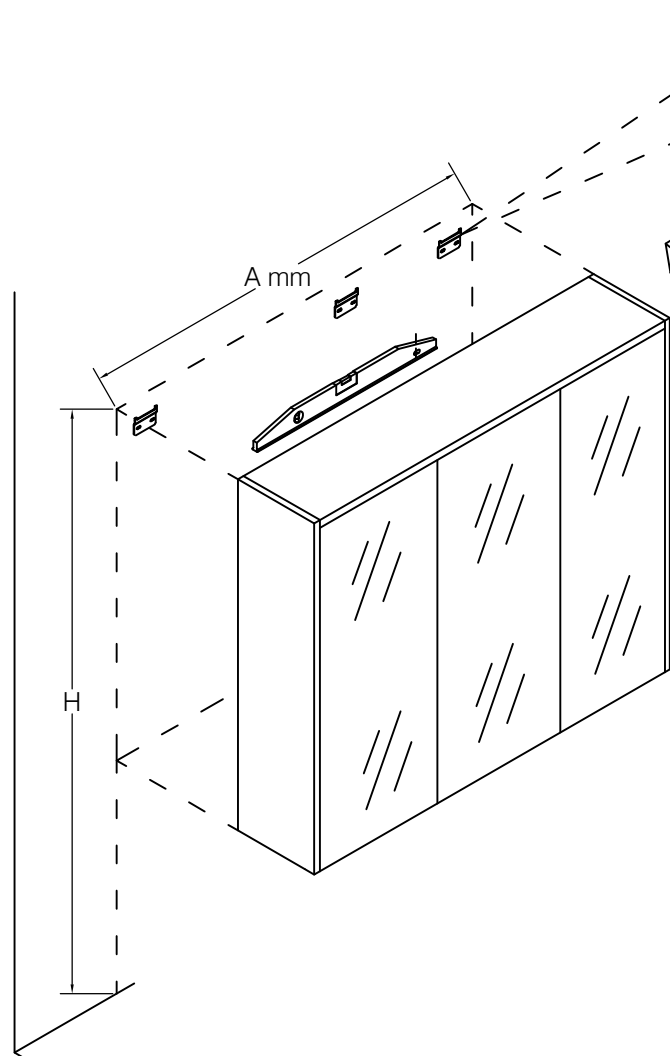
## MIRROR CABINET INSTALLATION



Please measure the "Y" size



2

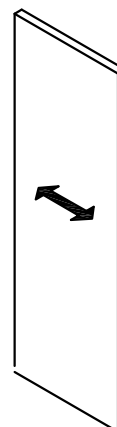
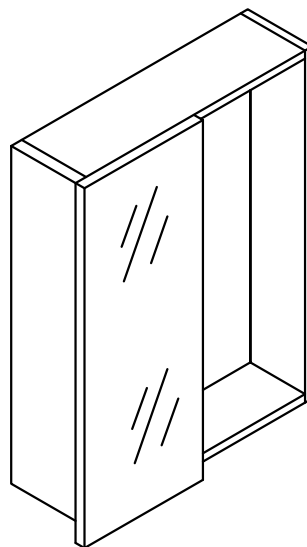
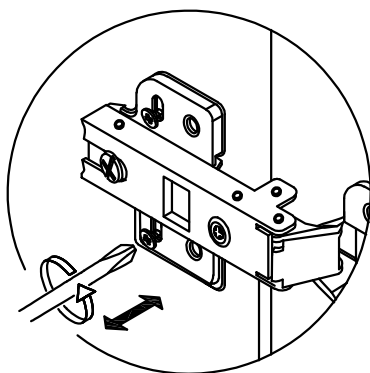


Please dry the cabinet with a soft cloth after use do not allow to remain wet

3

# Disassembling / Assembling HINGE/DOOR

## 1. Disassembling



## 2. Assembling

