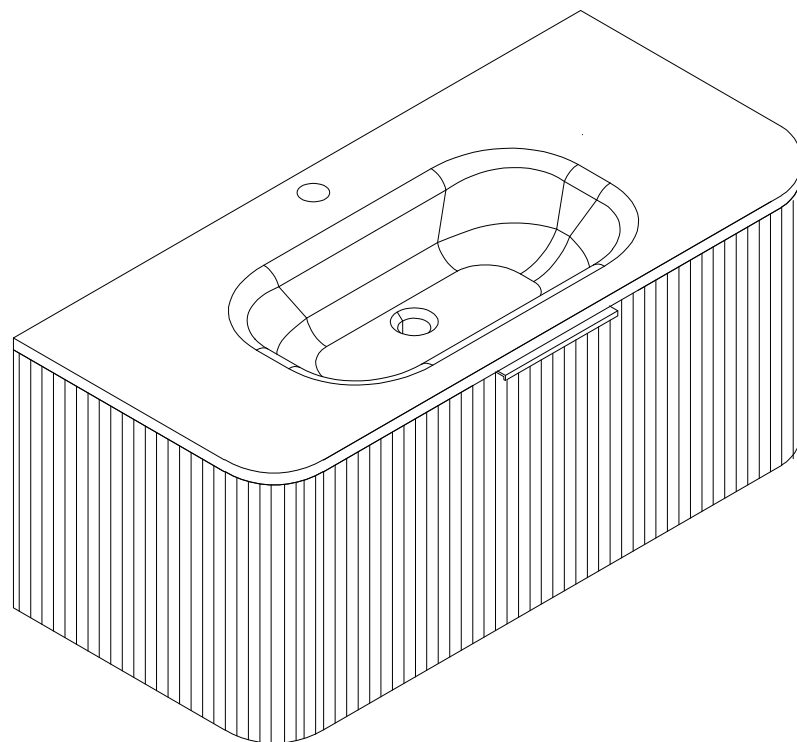
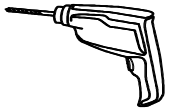


QOOZI

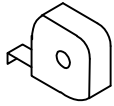
INSTALLATION GUIDE NIVA OK 100



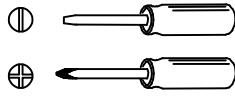
PRE-INSTALLATION - TOOLS REQUIRED



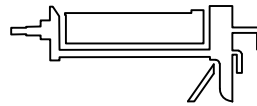
Drill



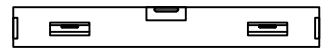
Measuring tape



Screwdriver



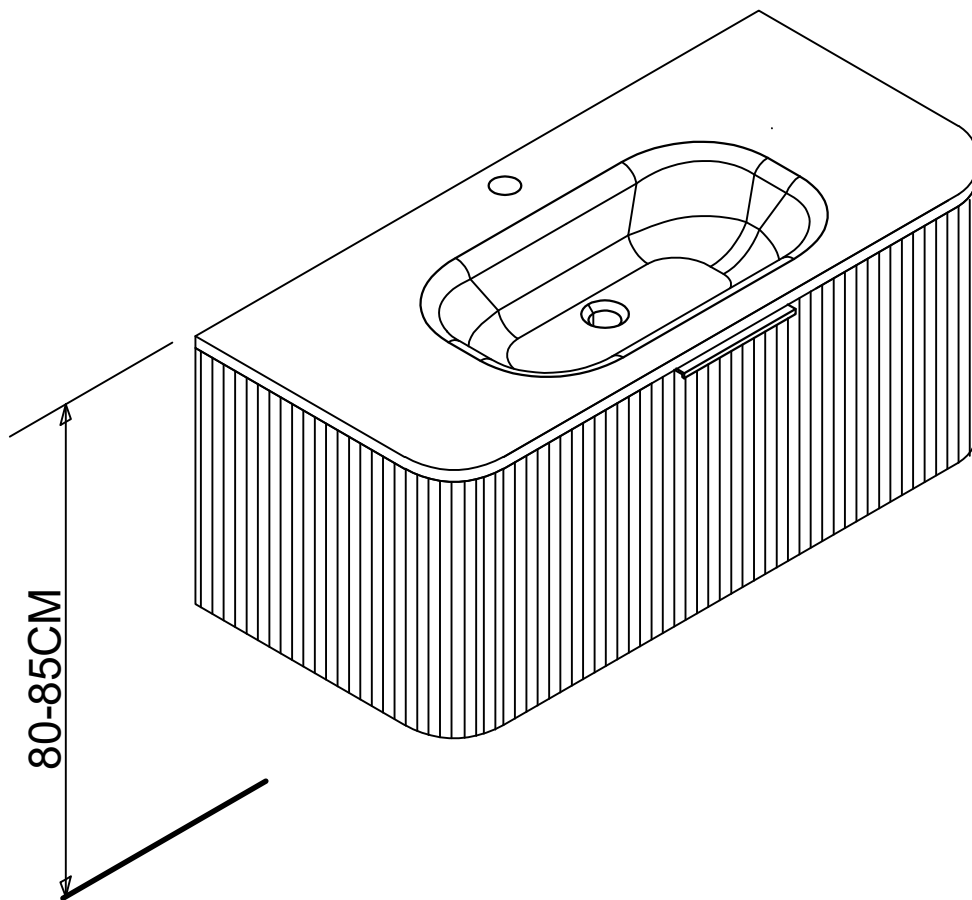
Silicone

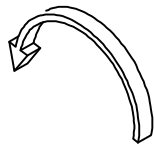
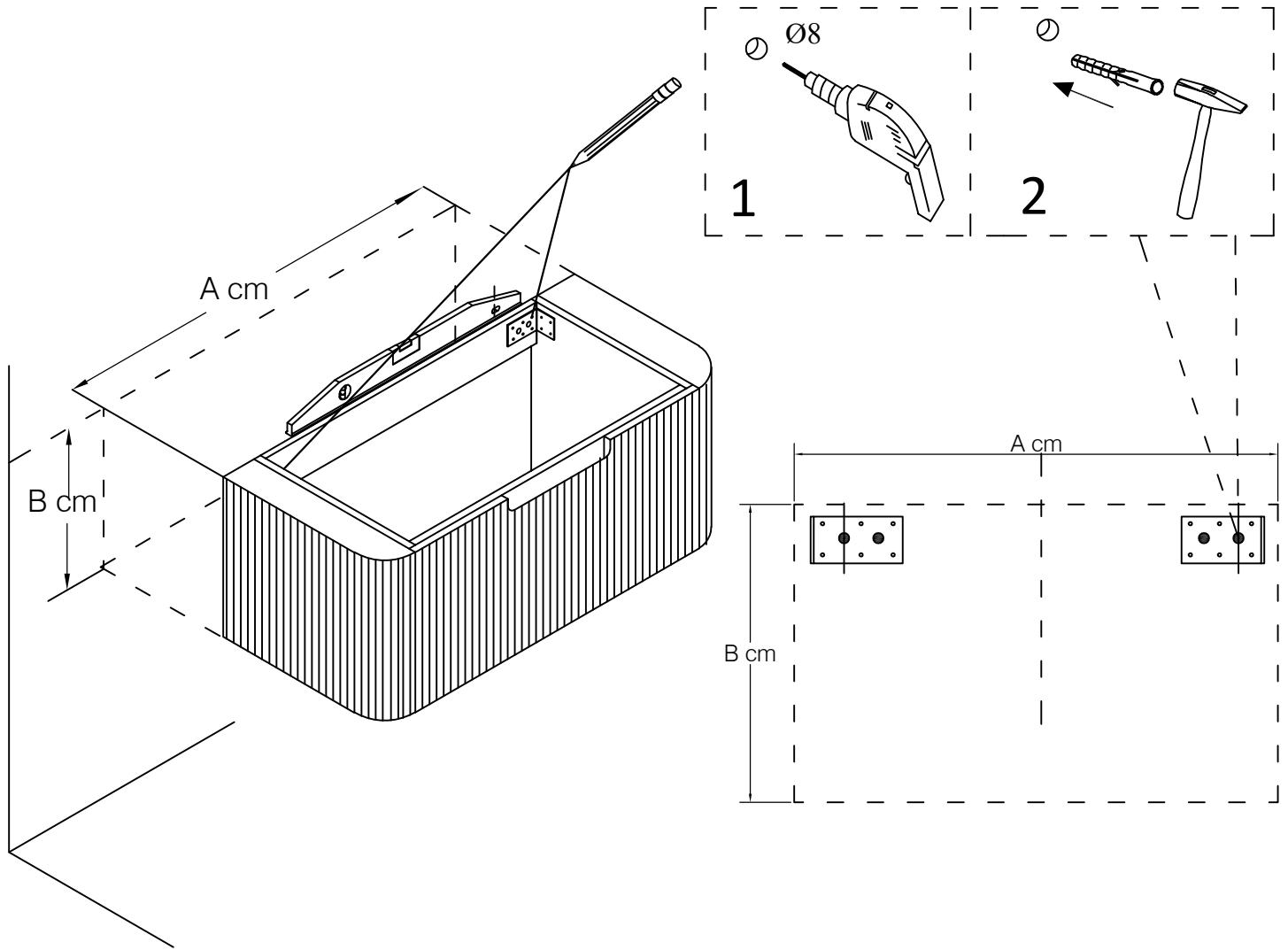


Level

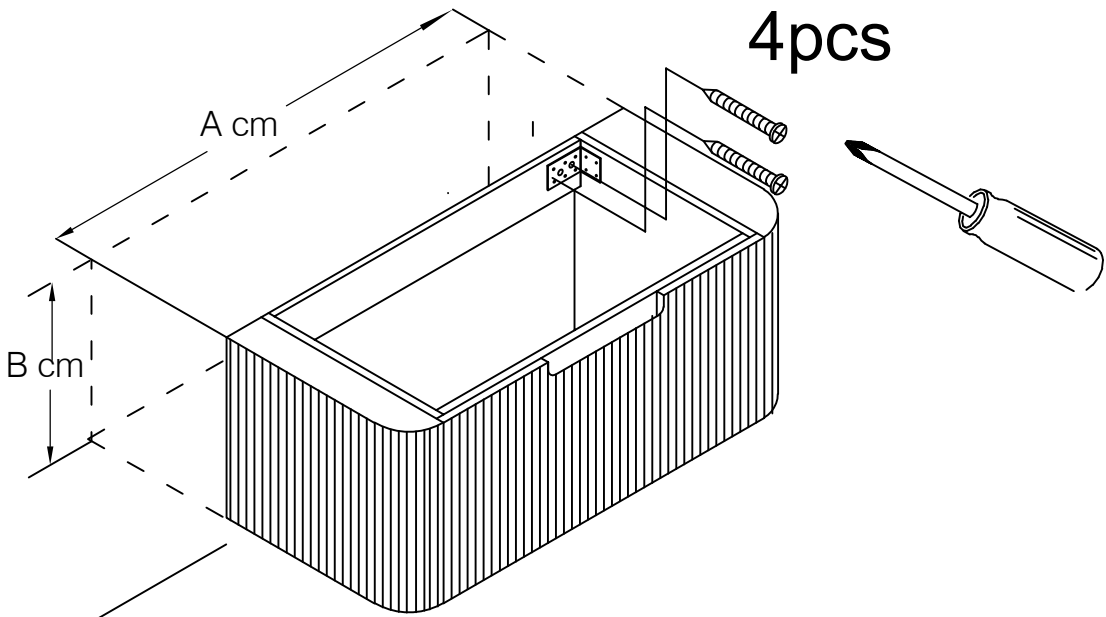


Pencil

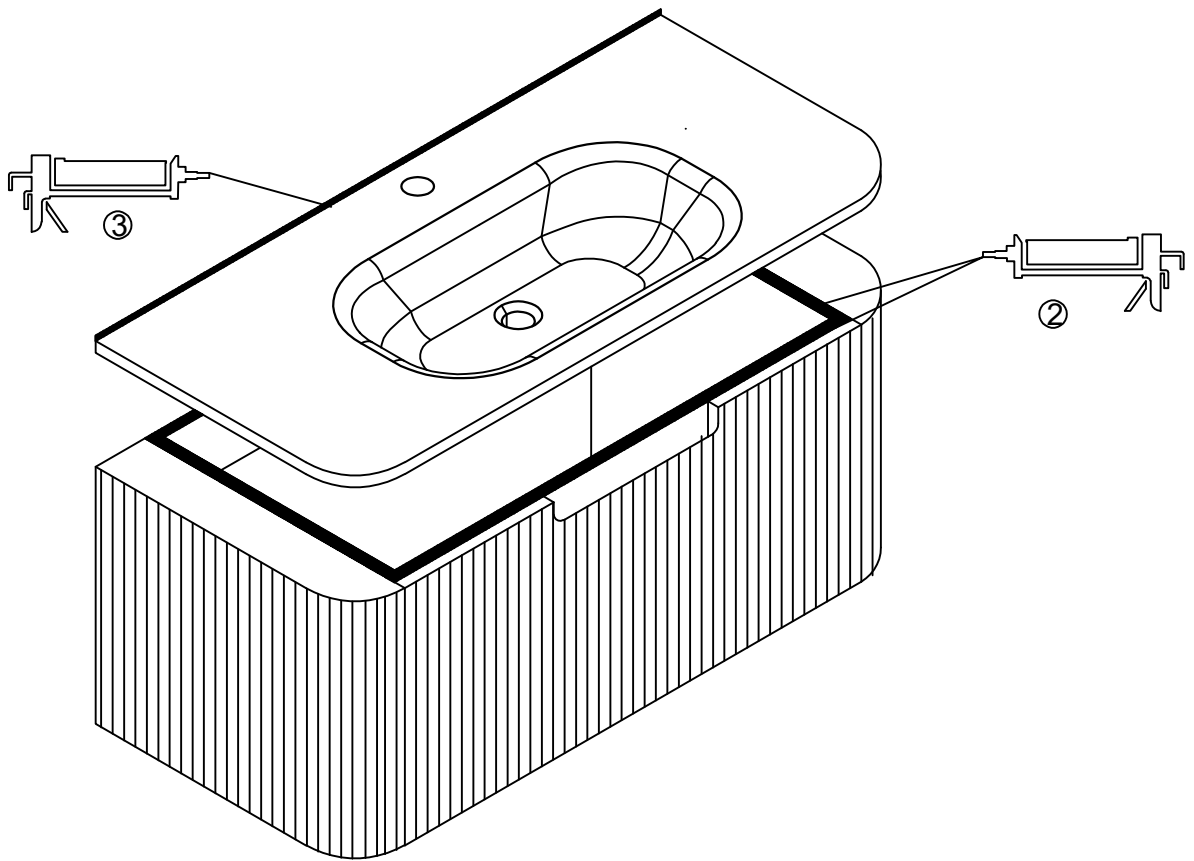
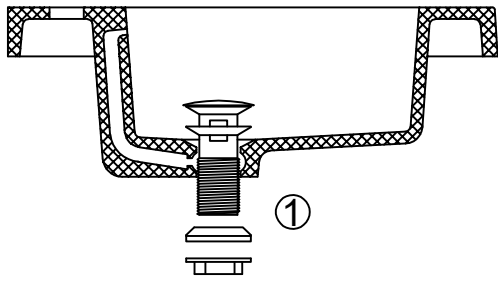




2



4



Please dry the cabinet with a soft cloth after use do not allow to remain wet

