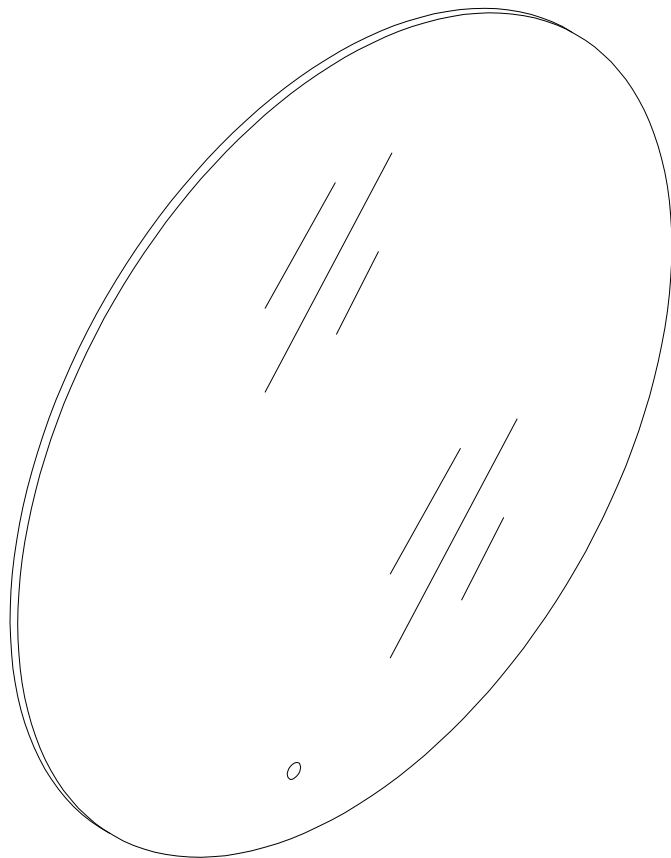
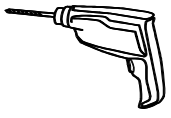


QOOzi

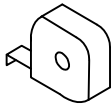
INSTALLATION GUIDE
FINO SP 080/NESO SP 080
NESO SP 090/NIVA SP 090



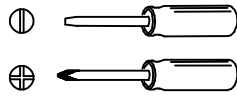
PRE-INSTALLATION - TOOLS REQUIRED



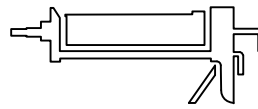
Drill



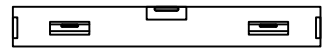
Measuring tape



Screwdriver



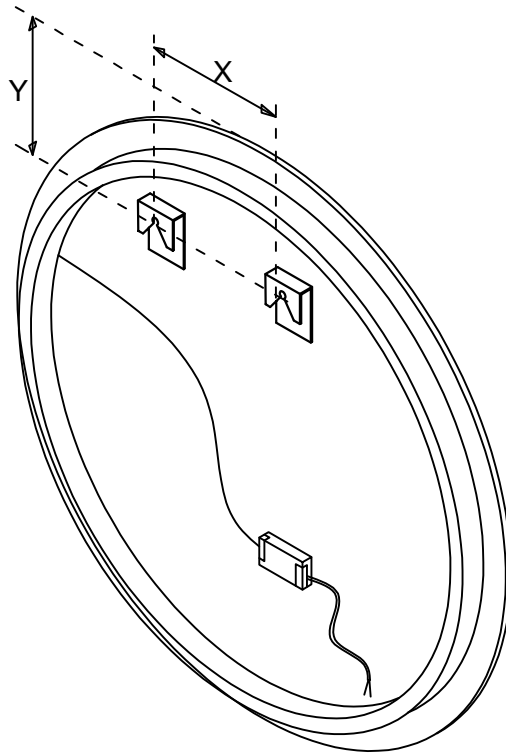
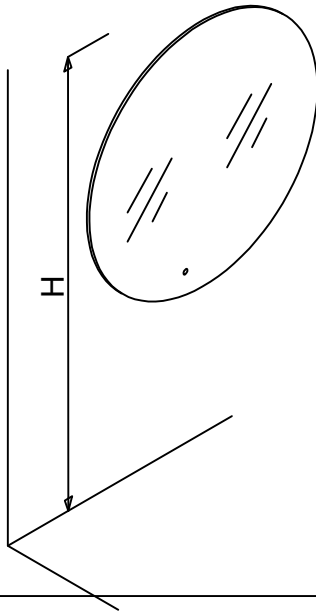
Silicone



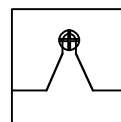
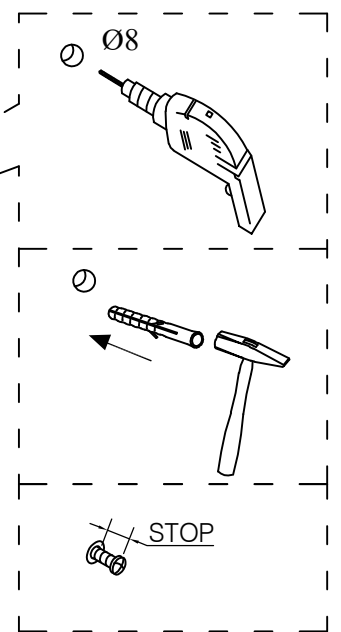
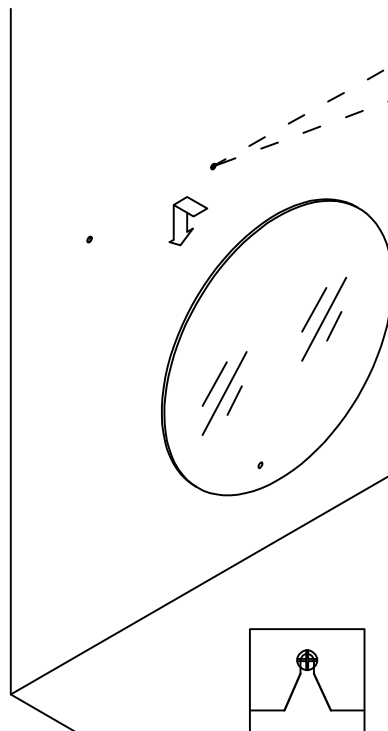
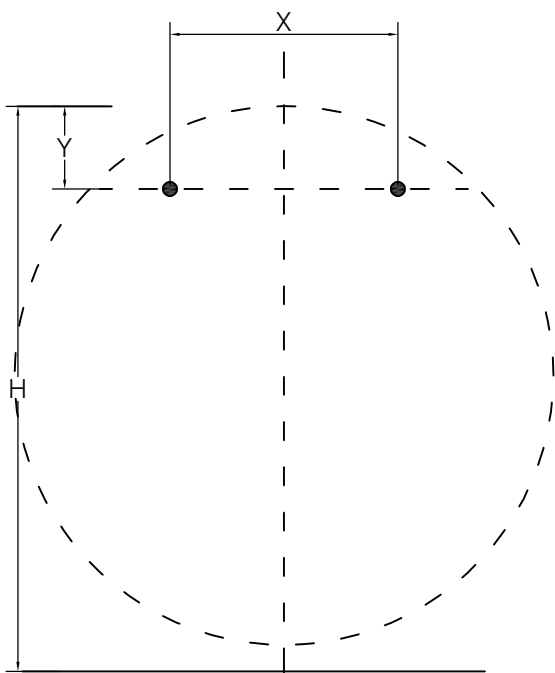
Level



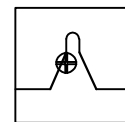
Pencil



1



✓



X

2