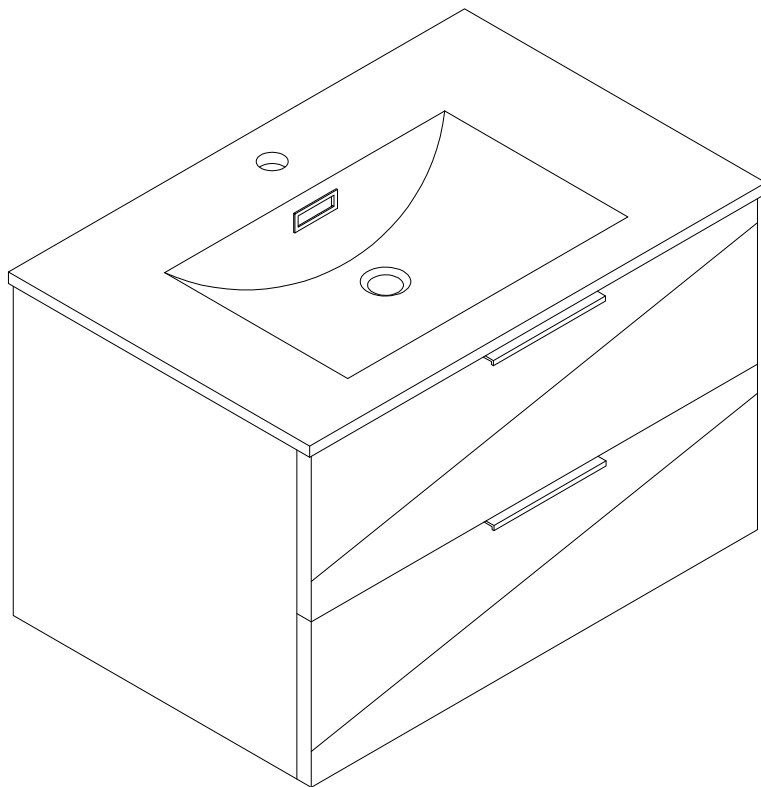
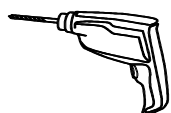


# QOOZI

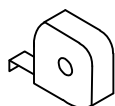
## INSTALLATION GUIDE LUNO OK 080



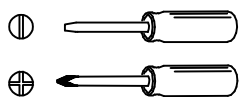
### PRE-INSTALLATION - TOOLS REQUIRED



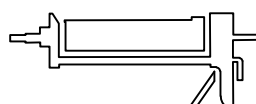
Drill



Measuring tape



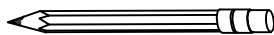
Screwdriver



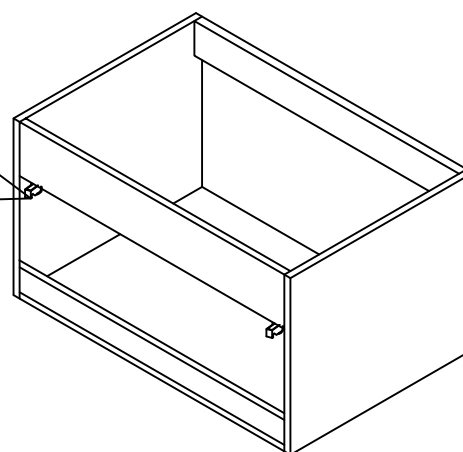
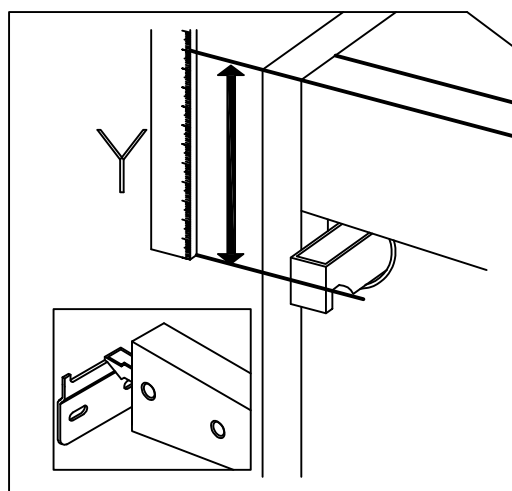
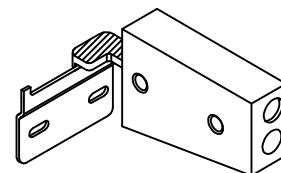
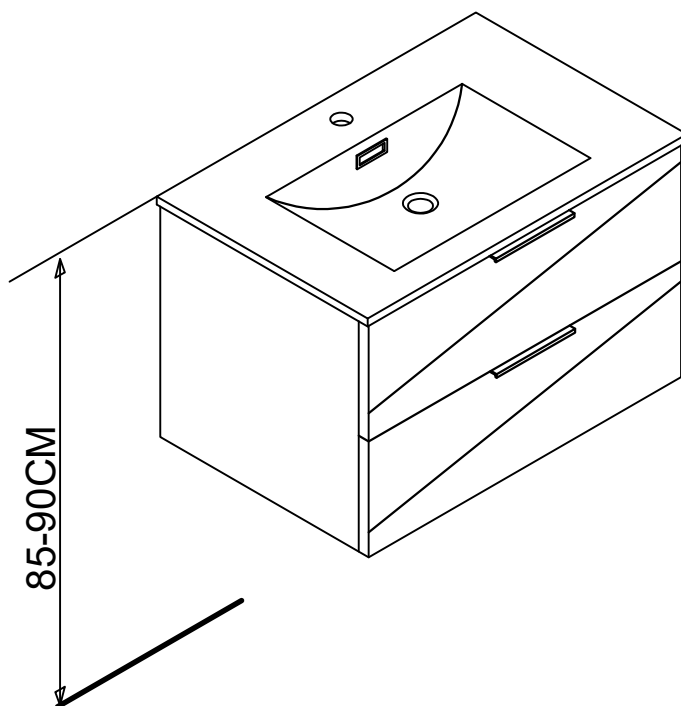
Silicone



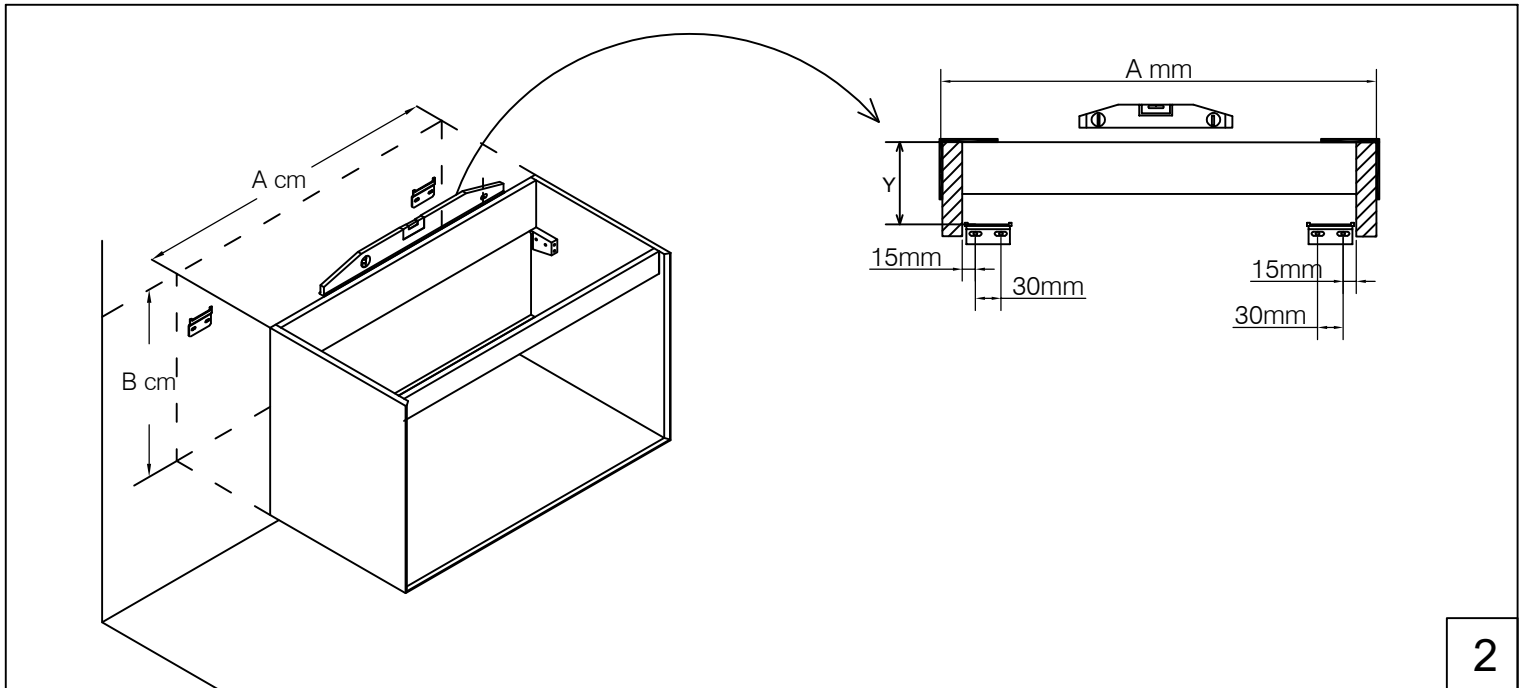
Level



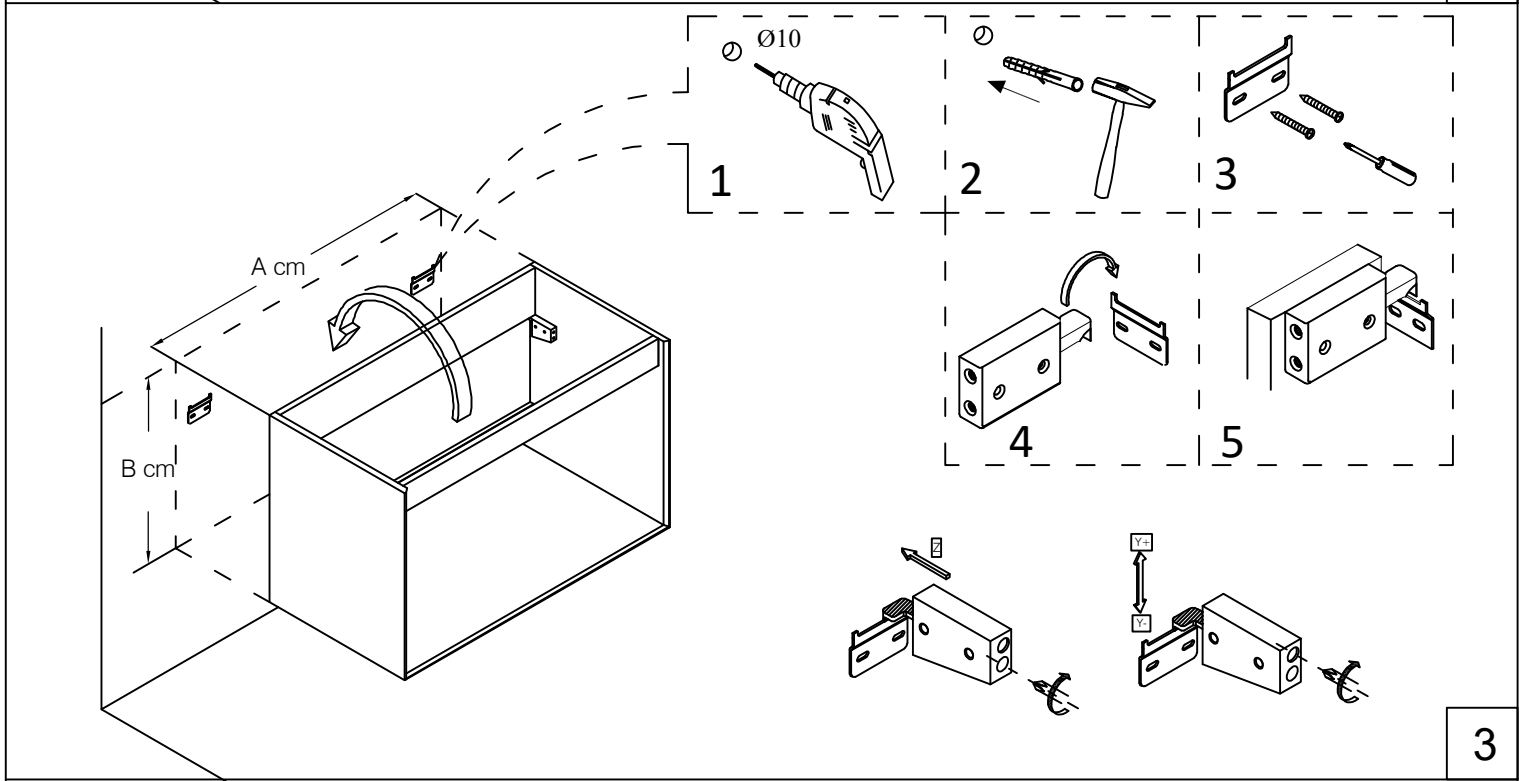
Pencil



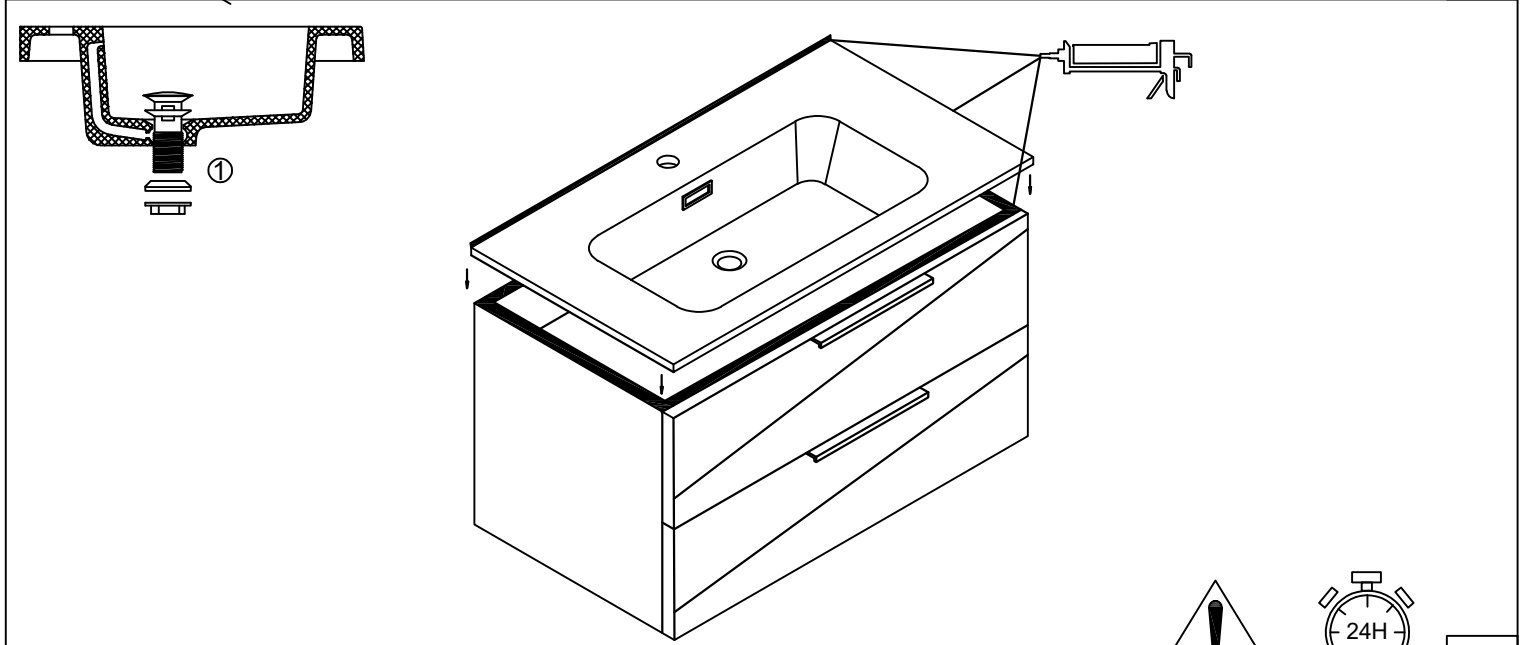
Please measure the "Y" size



2



3



4

Please dry the cabinet with a soft cloth after use do not allow to remain wet

