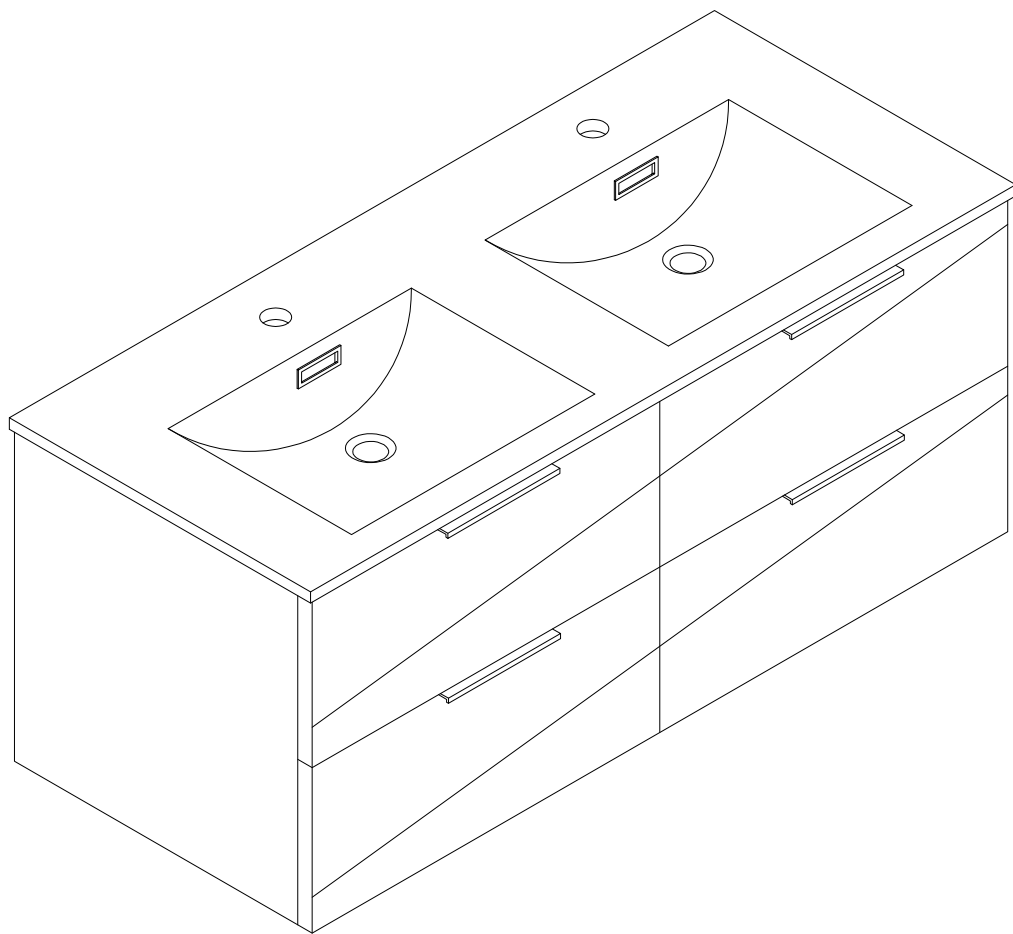
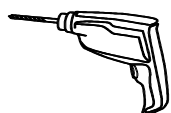


QOOZI

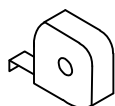
INSTALLATION GUIDE LUNO OK 120



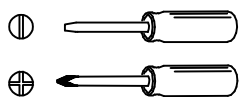
PRE-INSTALLATION - TOOLS REQUIRED



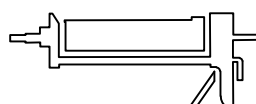
Drill



Measuring tape



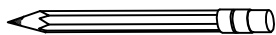
Screwdriver



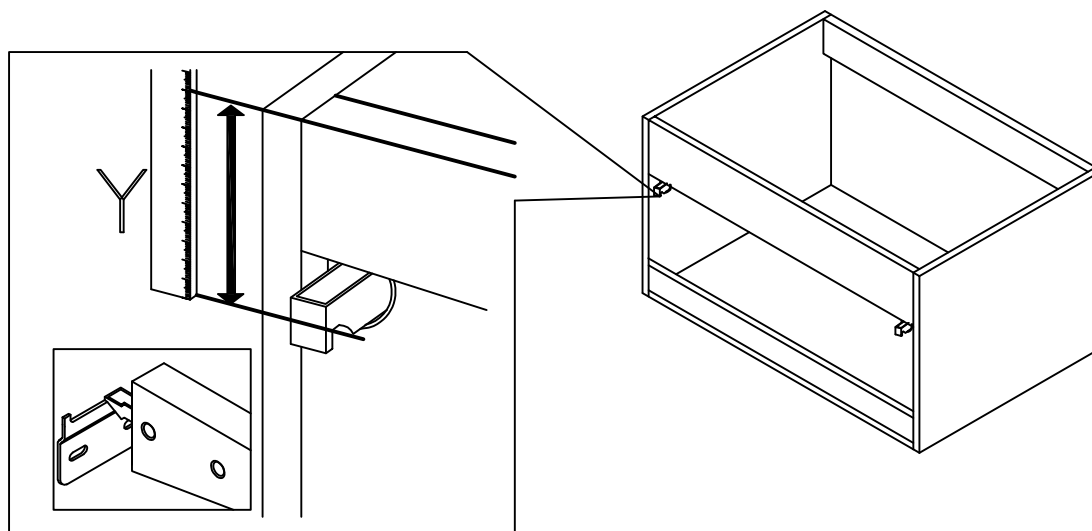
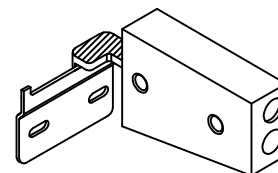
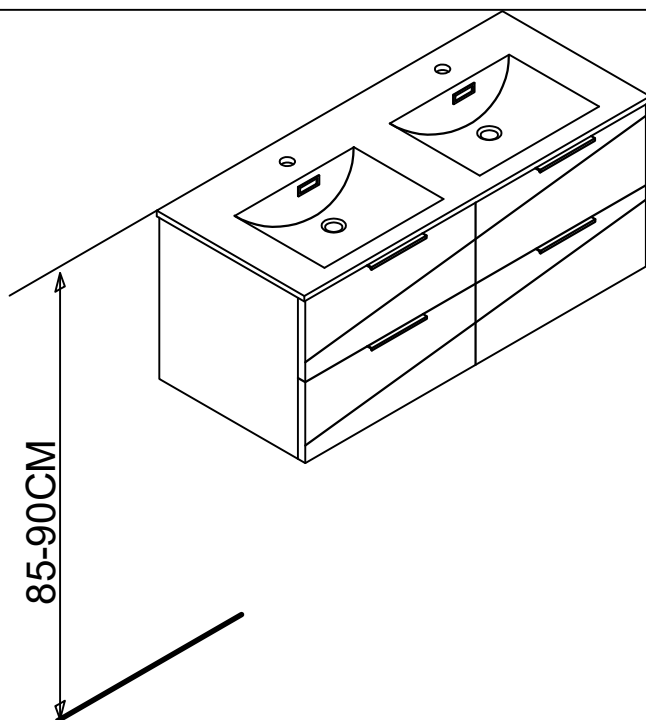
Silicone



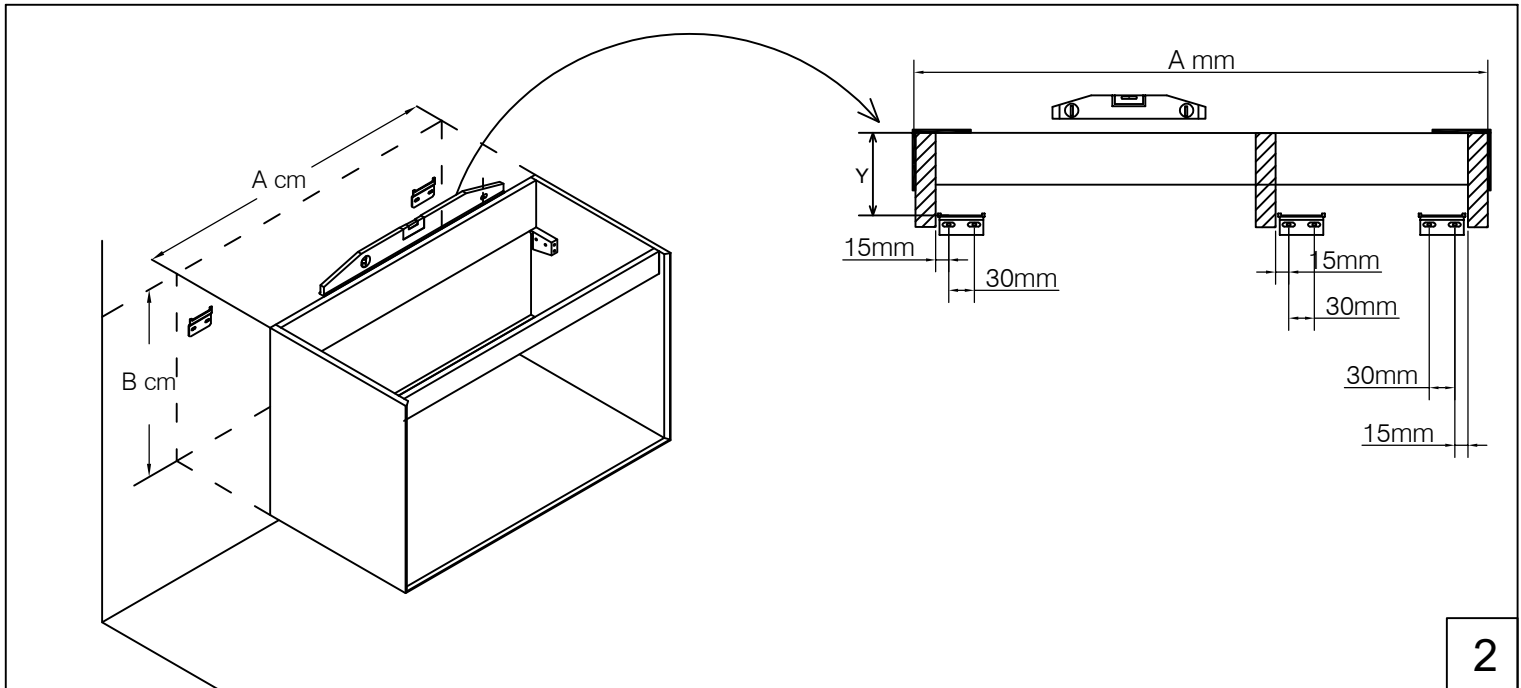
Level



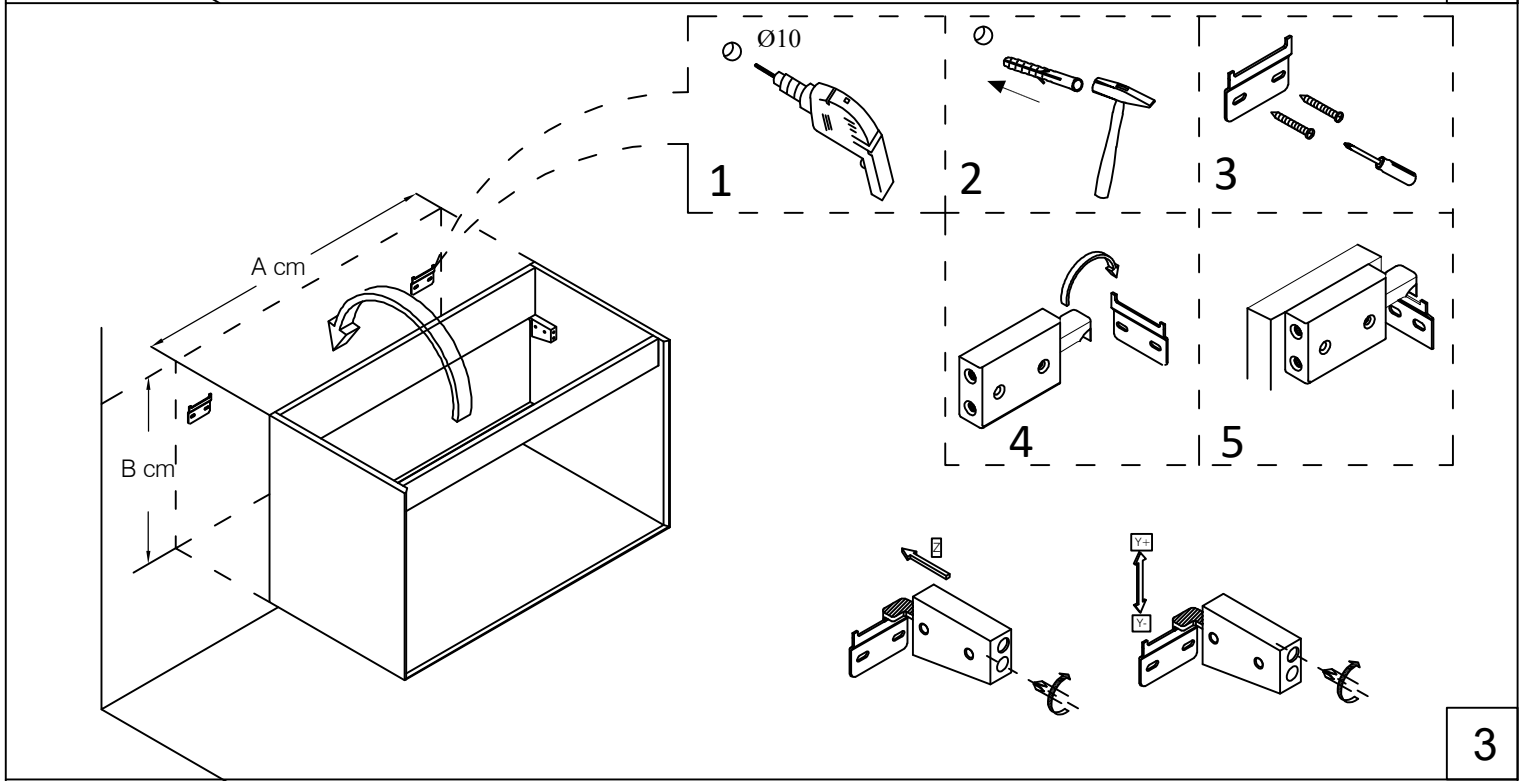
Pencil



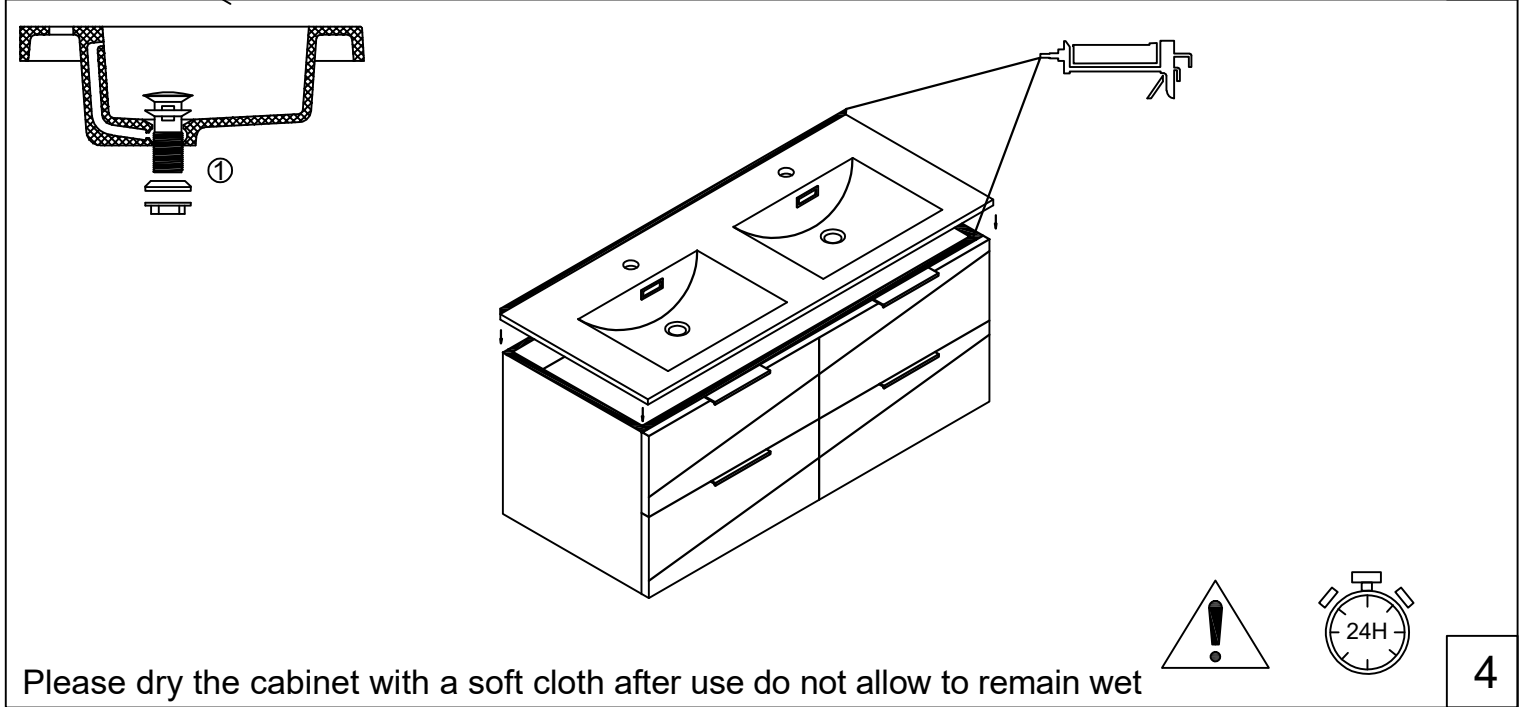
Please measure the "Y" size



2



3



Please dry the cabinet with a soft cloth after use do not allow to remain wet

4